

CODE	Dn	D	L1	L2	L	H
12EGEM020	20	32	34	50,5	52	95,5
12EGEM025	25	37	37	54	57	102



EloFIT

ITEM: **EGEM**

C:\Vault_Temp\Disegn\ISchede Tecniche\Elofit metric\Electrofusion fittings\EL10149.dwg

DESC: GOMITO ELETTROSALDABILE A 90°
ELECTROFUSION ELBOW 90°
PE100 SDR11 PFA/PN16

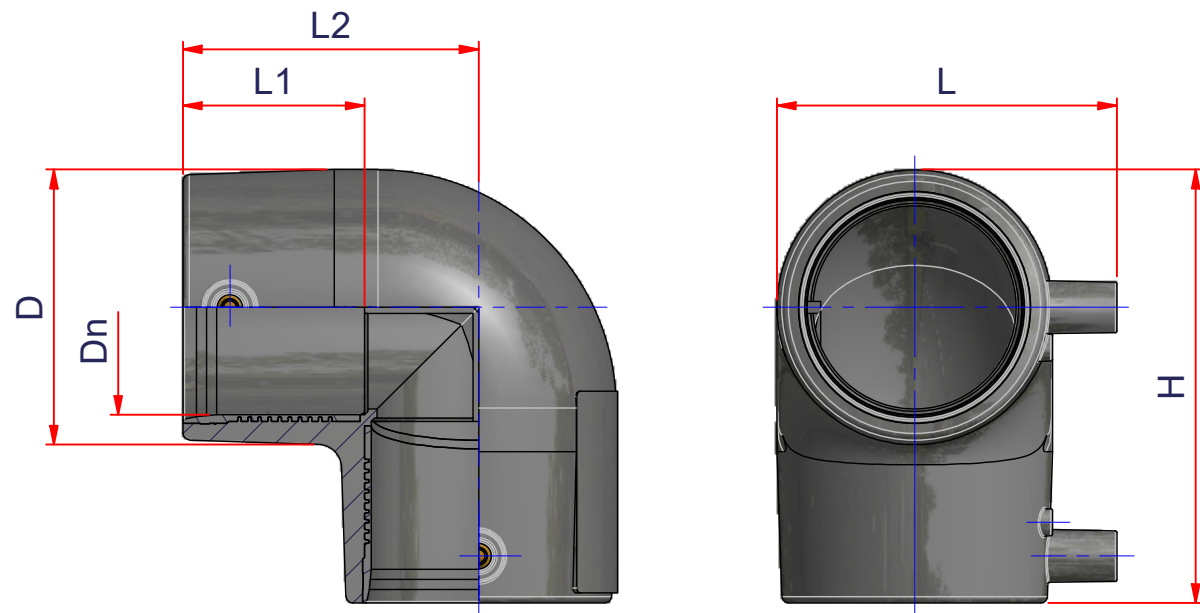


DRAWING No:
EL10149

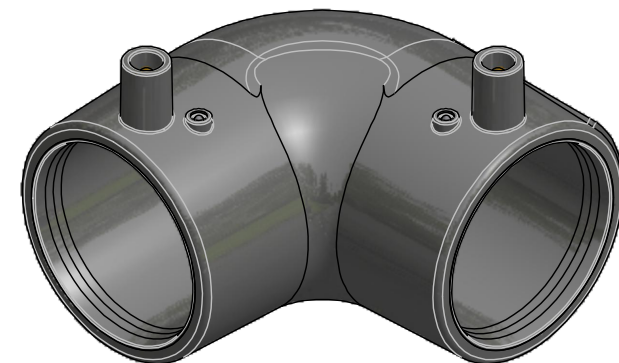
SHEET OF	REV.
1 2	-4

www.nupiindustriaitaliane.com - info@nupinet.com

All dimensions have to be considered in millimeters with 5% tolerance if not otherwise mentioned excluding values as per standard EN 1555 (gas) and/or EN 12201 (water)



CODE	Dn	D	L1	L2	L	H
12EGEM032	32	45	34	57,5	64	80
12EGEM040	40	53	41	65	73	91,5
12EGEM050	50	65	48	77	84	109,5
12EGEM063	63	78	53	88	100	129
12EGEM075	75	90	58	97	110	142
12EGEM090	90	119	70	122	133	182
12EGEM110	110	139	83	144	164	214
12EGEM125	125	158	88	157,5	180	237
12EGEM160	160	192	90	173	208,5	269
12EGEM180	180	215	91	185	227	292,5
12EGEM200	200	242	100	213	253,5	334



EloFIT

ITEM: **EGEM**

DESC: GOMITO ELETTROSALDABILE A 90°
ELECTROFUSION ELBOW 90°
PE100 SDR11 PFA/PN16



DRAWING No:
EL10149

SHEET OF REV.
2 2 -4

www.nupiindustriaitaliane.com - info@nupinet.com

All dimensions have to be considered in millimeters with 5% tolerance if not otherwise mentioned excluding values as per standard EN 1555 (gas) and/or EN 12201 (water)