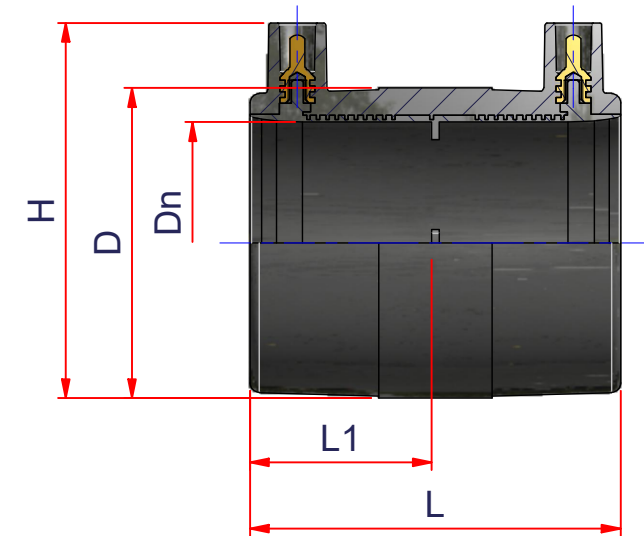


CODE	Dn	D	L1	L	H
12EME020	20	30	34	70	51
12EME025	25	38,5	34	70	58
12EME032	32	46	39	80	65
12EME040	40	55	41,5	85	74,5
12EME050	50	67	44	90	86
12EME063	63	80	48	98	97,5
12EME075	75	98	61	125	114
12EME090	90	113	72	146	130
12EME110	110	132	76,5	155	144
12EME125	125	156	82	166	168
12EME140	140	168	84	170	181
12EME160	160	191	87	175	201
12EME180	180	215	88	177	224
12EME200	200	236	92	185	243
12EME225	225	268	108	210	272,5
12EME250	250	296	106	212	300



EloFIT

ITEM: **EME**

DESC: MANICOTTO ELETTRORISALDABILE
ELECTROFUSION COUPLER
PE100 SDR11 PFA/PN16

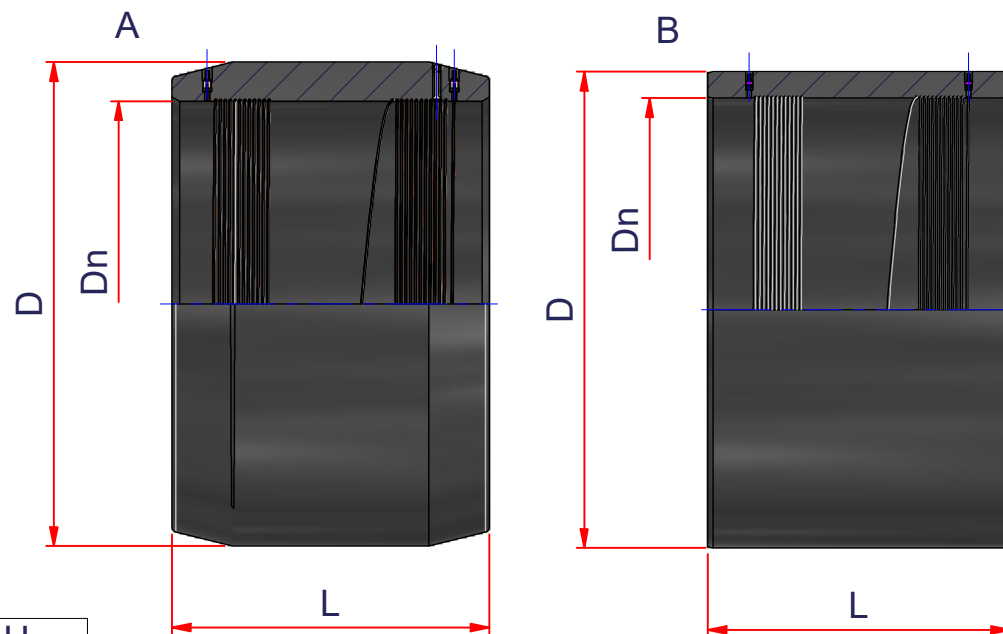


DRAWING No:
EL10010

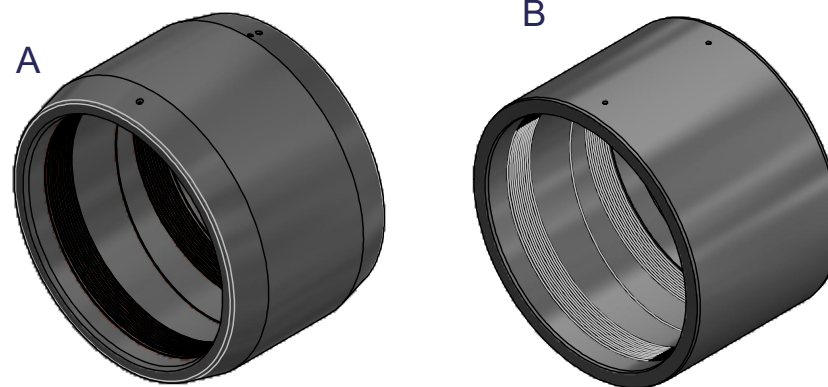
SHEET OF REV.
1 2 -11

www.nupiindustriaitaliane.com - info@nupinet.com

All dimensions have to be considered in millimeters with 5% tolerance if not otherwise mentioned excluding values as per standard EN 1555 (gas) and/or EN 12201 (water)



CODE	Type	Dn	D	L1	L	H
12EME280	A	280	338	-	270	-
12EME315	A	315	375	-	251	-
12EME355	A	355	425	-	300	-
12EME400	A	400	482	-	315	-
12EME450	A	450	542	-	340	-
12EME500	A	500	602	-	380	-
12EME560	A	560	670	-	400	-
12EME630	A	630	750	-	480	-
12EME710	B	710	855	-	440	-
12EME800	B	800	970	-	452	-
12EME900	B	900	-	-	-	-
12EME1000	B	1000	-	-	-	-



EloFIT

ITEM: **EME**

DESC: MANICOTTO ELETTRISALDABILE
ELECTROFUSION COUPLER
PE100 SDR11 PFA/PN16



DRAWING No:
EL10010

SHEET OF REV.
2 2 -11

www.nupiindustriaitaliane.com - info@nupinet.com

All dimensions have to be considered in millimeters with 5% tolerance if not otherwise mentioned excluding values as per standard EN 1555 (gas) and/or EN 12201 (water)