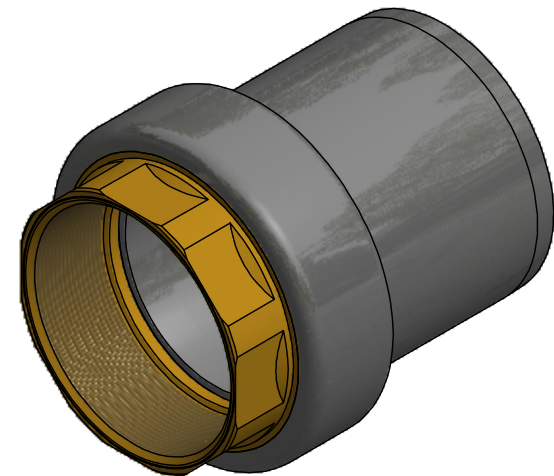


CODE	Dn	S	L1	D2	F	LF min	L	D	CH	LCH
12ERFF2012	20	3	44	13	1/2"	17	84	37	25	11
12ERFF2534	25	3	44	18	3/4"	18	86	41	30	12
12ERFF321	32	3	48	24	1"	21	91	50	38	13
12ERFF401	40	3,7	53	24	1"	21	95	50	38	13
12ERFF40114	40	3,7	53	31	1 1/4"	21,4	100	64	46	15
12ERFF50112	50	4,6	61	38	1 1/2"	19	108	70	55	15
12ERFF632	63	5,8	69	49	2"	23,7	122	84	65	20
12ERFF75212	75	6,8	76	60	2 1/2"	30,2	138	107	80	25
12ERFF903	90	8,2	87	71	3"	33,3	153	119	95	24
12ERFF1104	110	10	85,5	90	4"	40,3	165	153	120	27
12ERFF1254	125	11,4	95	99	4"	39,3	177	153	120	30



EloFIT

ITEM: **ERFF**

C:\Vault_Temp\Disegni\Schede Tecniche\Elofit metric\Transition fittings\EL10132.dwg

DESC: CODOLO DI TRANSIZIONE PE/OTTONE FILETTATO FEMMINA
PE/BRASS FEMALE THREADED SHORT TRANSITION FITTING
PE100 SDR11 PFA/PN16



DRAWING No:
EL10132

SHEET OF REV.
1 1 -3

www.nupiindustriaitaliane.com - info@nupinet.com

All dimensions have to be considered in millimeters with 5% tolerance if not otherwise mentioned excluding values as per standard EN 1555 (gas) and/or EN 12201 (water)