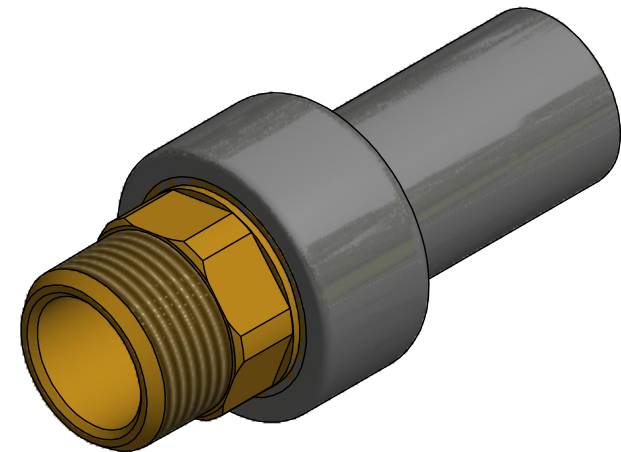


CODE	Dn	S	L1	D2	F	LF min	L	D	CH	LCH
12ERFM2012	20	3	44	13	1/2"	13,2	100	36	22	11
12ERFM2534	25	3	44	18	3/4"	14,5	103	41	27	12
12ERFM3234	32	3	47	18	3/4"	14,5	103	41	27	12
12ERFM321	32	3	48	24	1"	16,8	110	50	34	13
12ERFM401	40	3,7	55	24	1"	16,8	115	50	34	13
12ERFM40114	40	3,7	53	31	1 1/4"	19,1	124	63	42	15
12ERFM50112	50	4,6	61	38	1 1/2"	19,1	131	70	50	15
12ERFM502	50	4,6	61	38	2"	23,4	140	83	60	18
12ERFM632	63	5,8	69	49	2"	23,4	147	83	60	18
12ERFM75212	75	6,8	80	60	2 1/2"	26,7	163	107	80	20
12ERFM903	90	8,2	87	71	3"	29,8	183	118	90	23
12ERFM1104	110	10	85,5	90	4"	37	202	153	115	30
12ERFM1254	125	11,4	95	99	4"	37	214	153	115	30



**EloFIT**

ITEM: **ERFM**

C:\Vault\_Temp\Disegn\ISchede Tecniche\Elofit metric\Transition fittings\EL10131.dwg

DESC: CODOLO DI TRANSIZIONE PE/OTTONE FILETTATO  
MASCHIO  
PE/BRASS MALE THREADED SHORT TRANSITION  
FITTING  
PE100 SDR11 PFA/PN16



DRAWING No:  
**EL10131**

SHEET OF REV.  
1 1 -3

www.nupiindustriaitaliane.com - info@nupinet.com

All dimensions have to be considered in millimeters with 5% tolerance if not otherwise mentioned excluding values as per standard EN 1555 (gas) and/or EN 12201 (water)