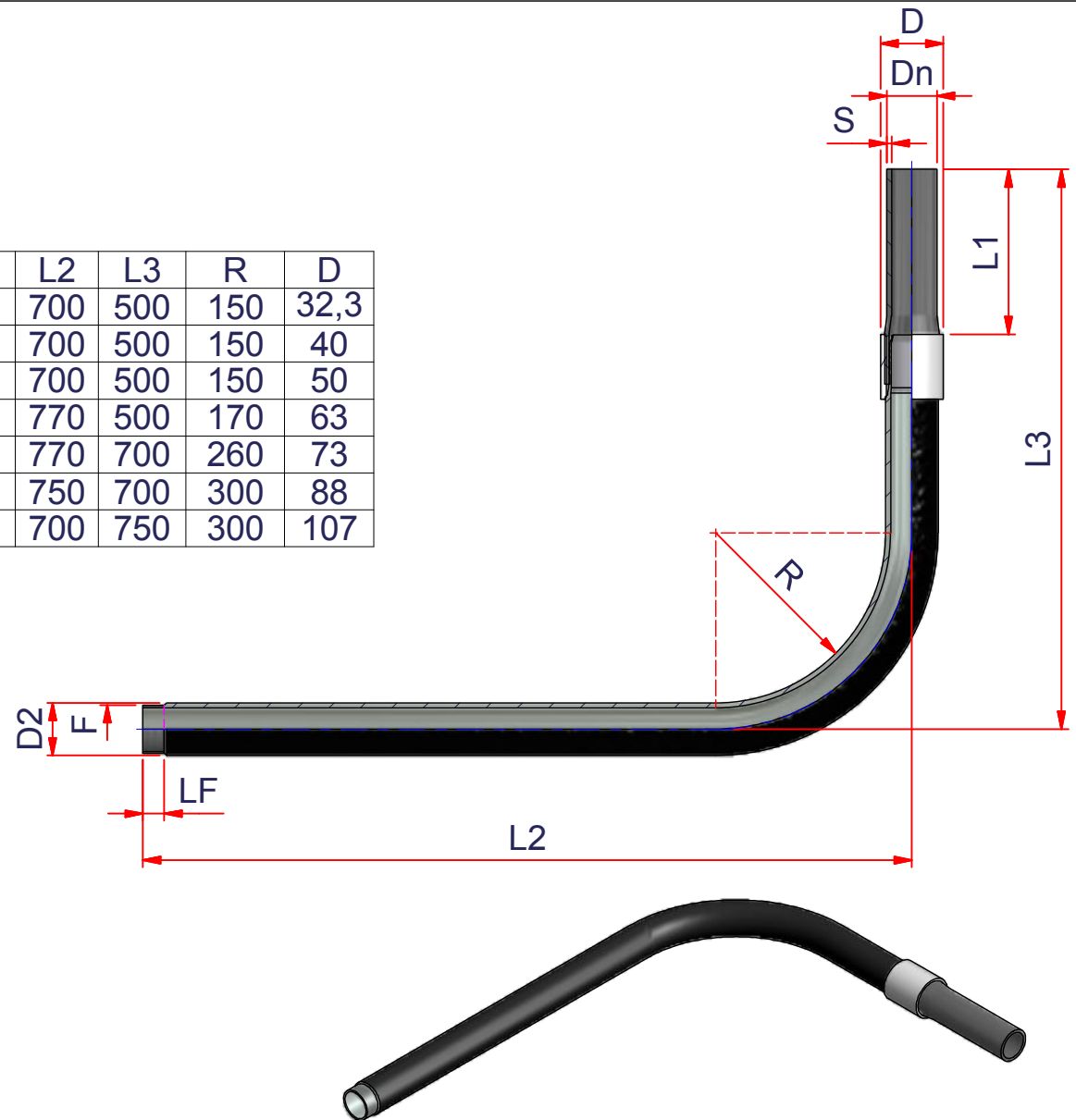


| CODE        | Dn | S   | L1  | F     | LF   | D2   | L2  | L3  | R   | D    |
|-------------|----|-----|-----|-------|------|------|-----|-----|-----|------|
| 12ERTCFZ025 | 25 | 3   | 165 | 3/4"  | 14,5 | 30   | 700 | 500 | 150 | 32,3 |
| 12ERTCFZ032 | 32 | 3   | 165 | 1"    | 16,8 | 37   | 700 | 500 | 150 | 40   |
| 12ERTCFZ040 | 40 | 3,7 | 165 | 1"1/4 | 19,1 | 45,6 | 700 | 500 | 150 | 50   |
| 12ERTCFZ050 | 50 | 4,6 | 165 | 1"1/2 | 19,1 | 52,6 | 770 | 500 | 170 | 63   |
| 12ERTCFZ063 | 63 | 5,8 | 190 | 2"    | 23,4 | 64   | 770 | 700 | 260 | 73   |
| 12ERTCFZ075 | 75 | 6,8 | 190 | 2"1/2 | 26,7 | 80   | 750 | 700 | 300 | 88   |
| 12ERTCFZ090 | 90 | 8,2 | 190 | 3"    | 29,8 | 93   | 700 | 750 | 300 | 107  |



**EIOFIT**

ITEM: **ERTCFZ**

C:\Vault\_Temp\Disegni\Schede Tecniche\Eiofit metric\Transition fittings\EL10141.dwg

DESC: RACCORDO DI TRANSIZIONE PE/ACCIAIO CURVO,  
FILETTATO INTERNO ZINCATO  
PE/STEEL THREADED CURVED TRANSITION FITTING  
GALVANIZED INSIDE  
PE100 SDR11 PFA/PN16



DRAWING No:  
**EL10141**

SHEET OF REV.  
**1 1 0**

www.nupiindustriaitaliane.com - info@nupinet.com

All dimensions have to be considered in millimeters with 5% tolerance if not otherwise mentioned excluding values as per standard EN 1555 (gas) and/or EN 12201 (water)