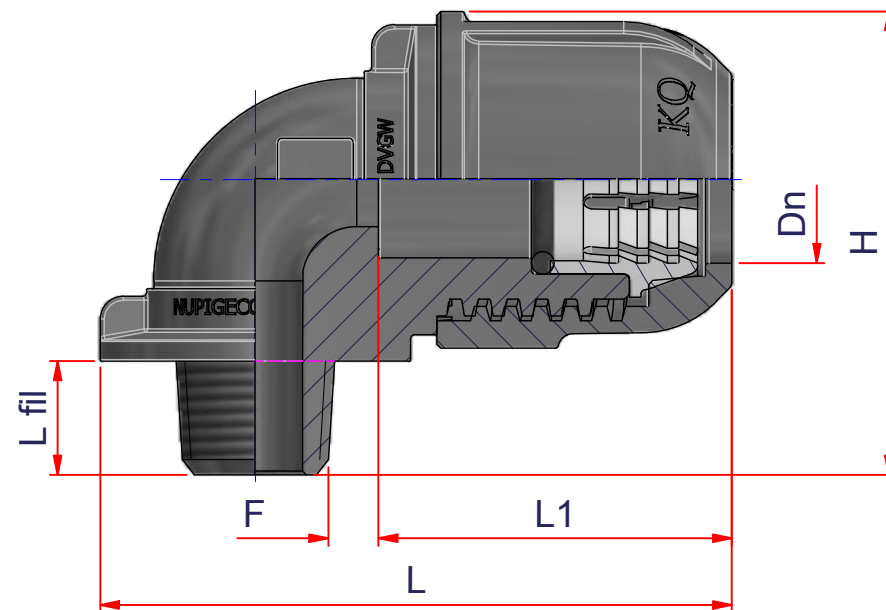


CODE	Dn	F	L fil	L1	L	H
10KGM1638	16	3/8"	11,4	41,5	71,5	49,5
10KGM1612	16	1/2"	15	41,5	71,5	54,5
10KGM2012	20	1/2"	15	47,5	83,5	61,5
10KGM2034	20	3/4"	16,3	47,5	83,5	62,5
10KGM2512	25	1/2"	15	49,5	89,5	67,5
10KGM2534	25	3/4"	16,3	49,5	89,5	68,5
10KGM251	25	1"	19,1	49,5	89,5	71,5
10KGM3212	32	1/2"	15	55	106,5	79
10KGM3234	32	3/4"	16,3	55	106,5	80
10KGM321	32	1"	19,1	55	106,5	83
10KGM32114	32	1"1/4	21,4	55	106,5	85
10KGM63112	63	1"1/2	21,4	79,5	172,5	138
10KGM632	63	2"	25,7	79,5	172,5	142
10KGM63212	63	2"1/2	30,2	79,5	172,5	147



EIOPRESS

ITEM: **KGM**

DESC: GOMITO A 90° FILETTATO MASCHIO
THREADED MALE ELBOW 90°

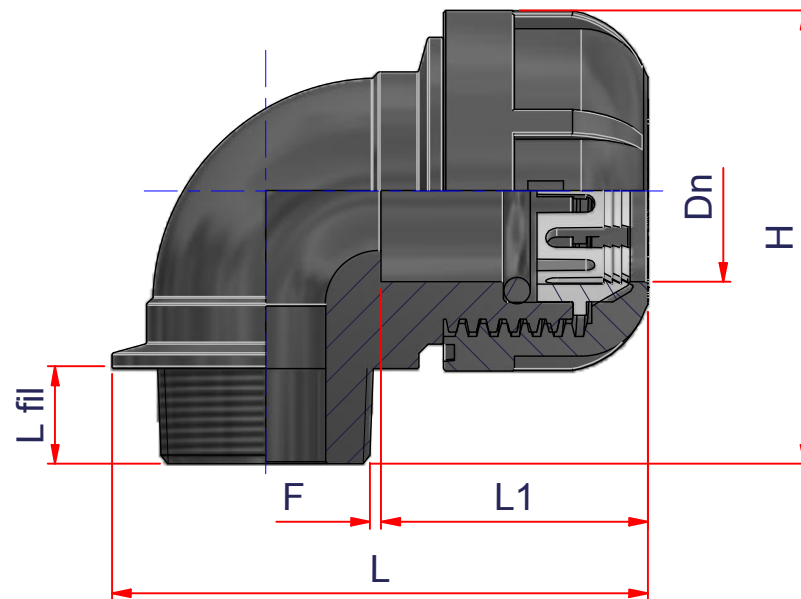


DRAWING No:
EP10016

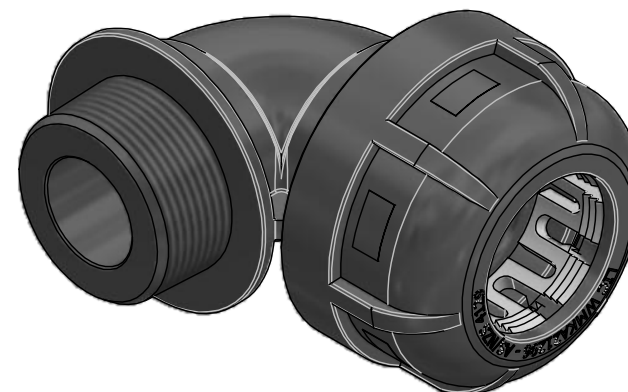
SHEET OF REV.
1 3 -2

www.nupiindustriaitaliane.com - info@nupinet.com

All dimensions have to be considered in millimeters with 5% tolerance if not otherwise mentioned



CODE	Dn	F	L fil	L1	L	H
10KGM401	40	1"	19,1	63	111,5	99
10KGM40114	40	1"1/4	21,4	63	111,5	101,5
10KGM40112	40	1"1/2	21,4	63	111,5	101,5
10KGM50114	50	1"1/4	21,4	66,5	141,5	118
10KGM50112	50	1"1/2	21,4	66,5	141,5	118
10KGM502	50	2"	25,7	66,5	141,5	122



EIOPRESS

ITEM: **KGM**

DESC: GOMITO A 90° FILETTATO MASCHIO
THREADED MALE ELBOW 90°

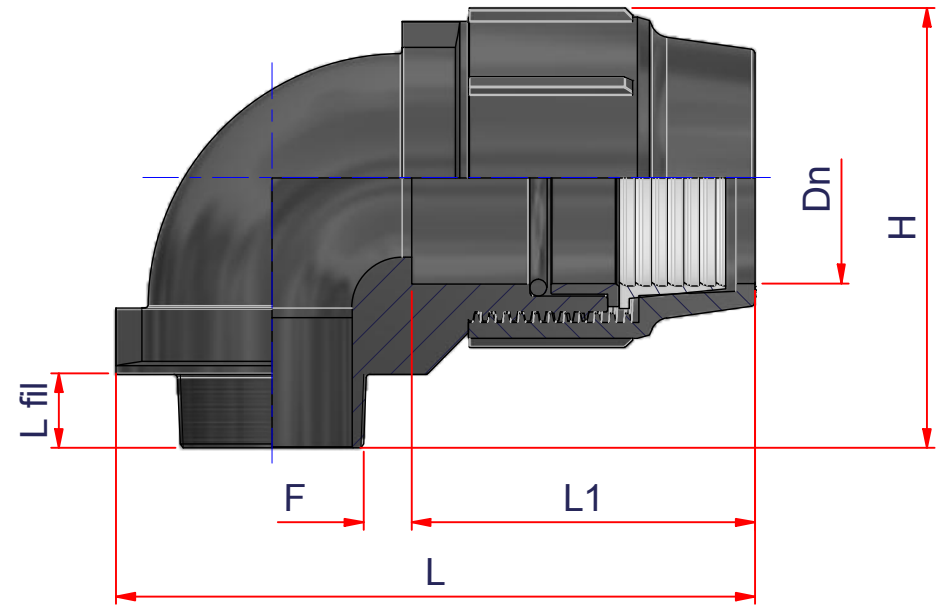


DRAWING No:
EP10016

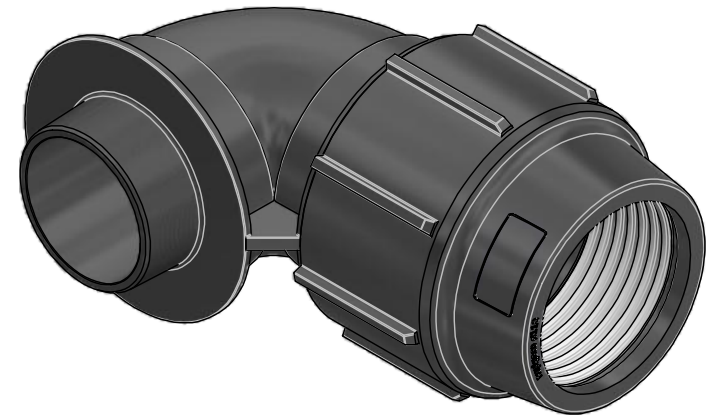
SHEET OF	REV.
2 3	-2

www.nupiindustriaitaliane.com - info@nupinet.com

All dimensions have to be considered in millimeters with 5% tolerance if not otherwise mentioned



CODE	Dn	F	L fil	L1	L	H
10KGM75212	75	2"1/2	33	121	228,5	170,5
10KGM753	75	3"	33	121	228,5	170,5
10KGM903	90	3"	33	144	260	185
10KGM904	90	4"	39	144	260	190
10KGM1104	110	4"	39	175,5	338	232



EIOPRESS

ITEM: **KGM**

DESC: GOMITO A 90° FILETTATO MASCHIO
THREADED MALE ELBOW 90°



DRAWING No:
EP10016

SHEET OF REV.
3 3 -2

www.nupiindustriaitaliane.com - info@nupinet.com

All dimensions have to be considered in millimeters with 5% tolerance if not otherwise mentioned