

| CODE | Dn | L1 | L | H1 | H |
|--------|----|------|-------|-------|-------|
| 10KG16 | 16 | 40,5 | 72 | 53,5 | 72 |
| 10KG20 | 20 | 47 | 88 | 63,5 | 88 |
| 10KG25 | 25 | 49,5 | 94 | 68 | 94 |
| 10KG32 | 32 | 55 | 111,5 | 78,5 | 111,5 |
| 10KG63 | 63 | 79,5 | 177,5 | 122,5 | 177,5 |



EIO PRESS

ITEM: **KG**

DESC: GOMITO 90°
90° ELBOW

C:\Vault_Temp\Disegn\ISchede Tecniche\Eiopress metric\Compression fittings\EP10014.dwg

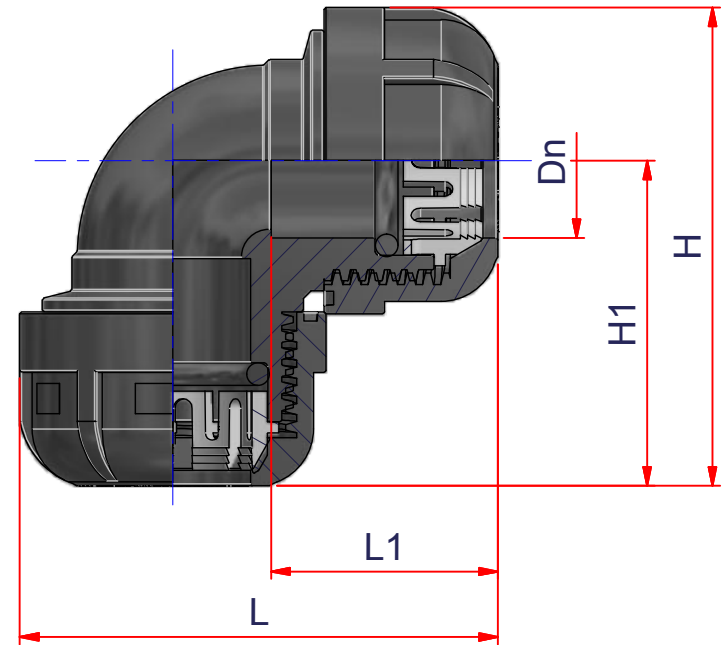


DRAWING No:
EP10014

| | |
|----------|------|
| SHEET OF | REV. |
| 1 3 | -2 |

www.nupiindustriaitaliane.com - info@nupinet.com

All dimensions have to be considered in millimeters with 5% tolerance if not otherwise mentioned



| CODE | Dn | L1 | L | H1 | H |
|--------|----|------|-------|-------|-------|
| 10KG40 | 40 | 63 | 133,5 | 92 | 133,5 |
| 10KG50 | 50 | 66,5 | 147,5 | 100,5 | 147,5 |



EIOPRESS

ITEM: **KG**

DESC: GOMITO 90°
90° ELBOW

C:\Vault_Temp\Disegn\ISchede Tecniche\Eiopress metric\Compression fittings\EP10014.dwg

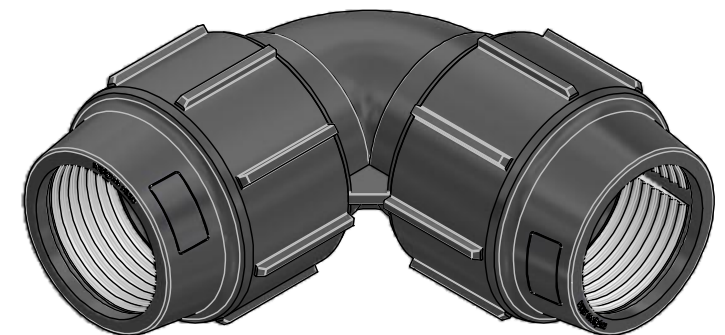
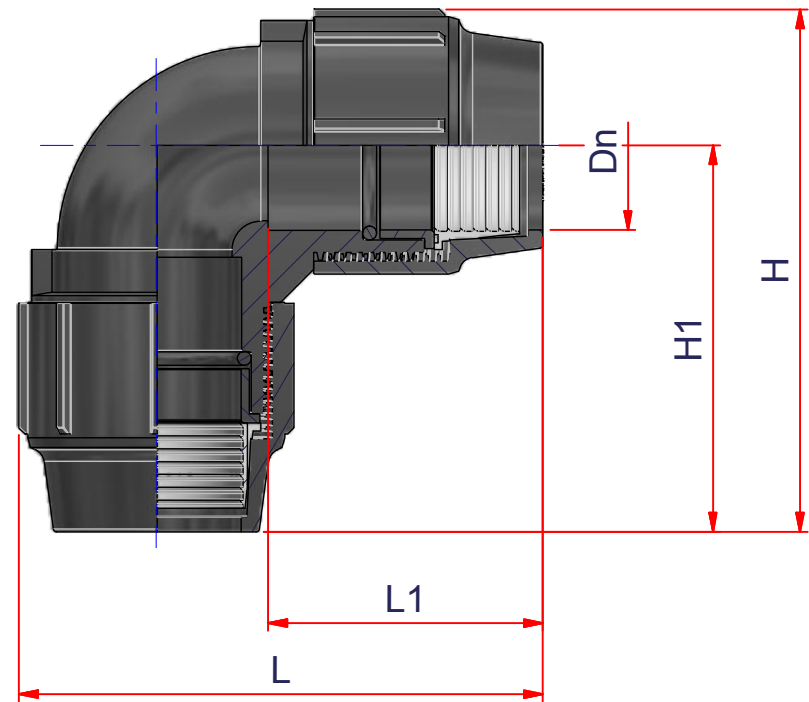


DRAWING No:
EP10014

| | |
|----------|------|
| SHEET OF | REV. |
| 2 3 | -2 |

www.nupiindustriaitaliane.com - info@nupinet.com

All dimensions have to be considered in millimeters with 5% tolerance if not otherwise mentioned



| CODE | Dn | L1 | L | H1 | H |
|---------|-----|-------|-------|-----|-------|
| 10KG75 | 75 | 121 | 236 | 170 | 236 |
| 10KG90 | 90 | 144 | 282 | 207 | 282 |
| 10KG110 | 110 | 175,5 | 331,5 | 243 | 331,5 |



EIOPRESS

ITEM: **KG**

DESC: GOMITO 90°
90° ELBOW

C:\Vault_Temp\Disegn\ISchede Tecniche\Eiopress metric\Compression fittings\EP10014.dwg



DRAWING No:
EP10014

| | |
|----------|------|
| SHEET OF | REV. |
| 3 3 | -2 |

www.nupiindustriaitaliane.com - info@nupinet.com

All dimensions have to be considered in millimeters with 5% tolerance if not otherwise mentioned