

CODE	Dn	L1	L	H
10KMAN16	16	40,5	86	37
10KMAN20	20	47	108	45
10KMAN25	25	49,5	108,5	51
10KMAN32	32	55	123	63
10KMAN63	63	68,5	150,5	110



EIOPRESS

ITEM: **KMAN**

C:\Vault_Templ\Disegn\ISchede Tecniche\Eiopress metric\Compression fittings\EP10009.dwg

DESC: **MANICOTTO COUPLER**

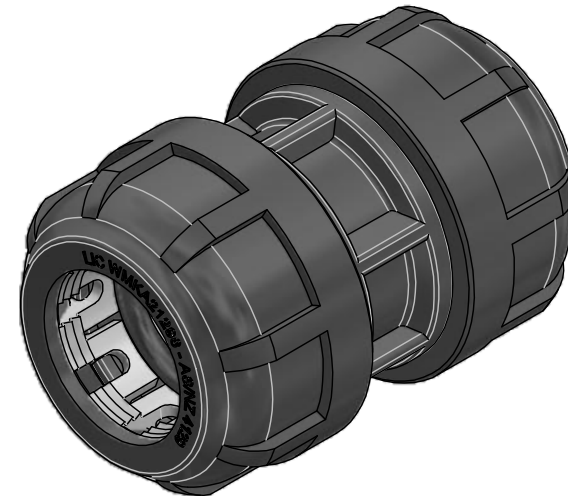
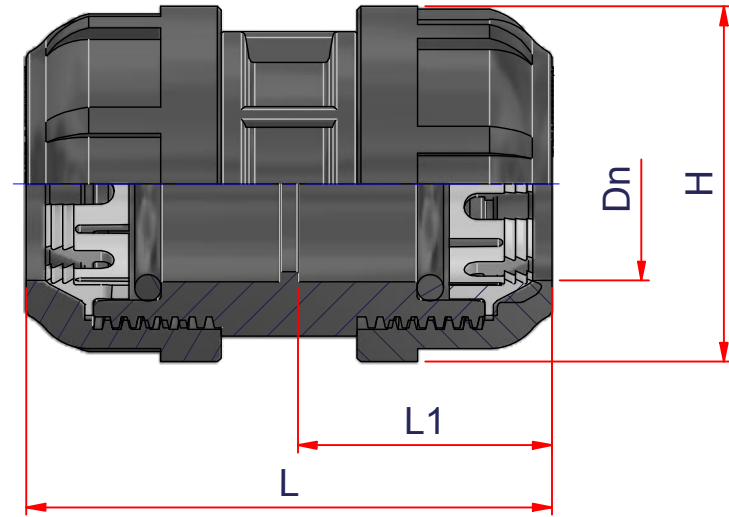


DRAWING No:
EP10009

SHEET OF	REV.
1 3	-3

www.nupiindustriaitaliane.com - info@nupinet.com

All dimensions have to be considered in millimeters with 5% tolerance if not otherwise mentioned



CODE	Dn	L1	L	H
10KMAN40	40	63	133,5	81
10KMAN50	50	66,5	138	94



EIOPRESS

ITEM: **KMAN**
C:\Vault_Temp\Disegn\ISchede Tecniche\Eiopress metric\Compression fittings\EP10009.dwg

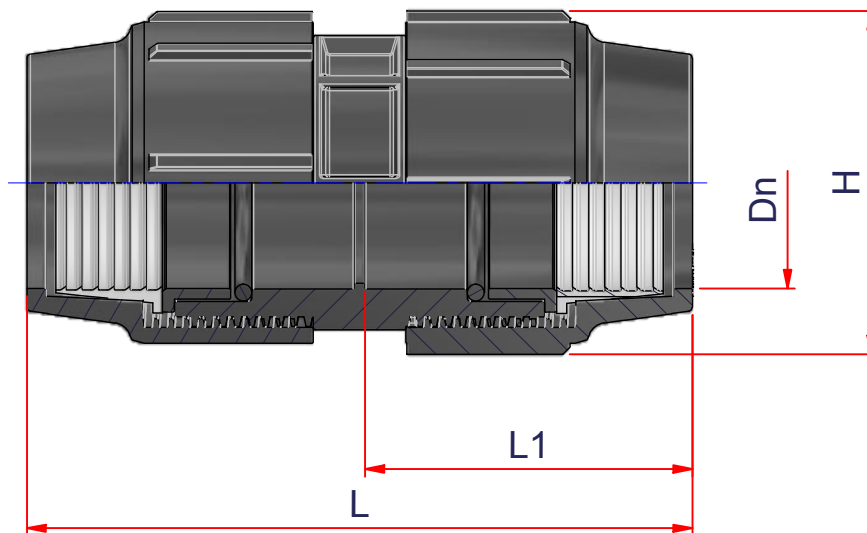
DESC: **MANICOTTO COUPLER**



DRAWING No:		EP10009
SHEET OF	REV.	
2 3	-3	

www.nupiindustriaitaliane.com - info@nupinet.com

All dimensions have to be considered in millimeters with 5% tolerance if not otherwise mentioned



CODE	Dn	L1	L	H
10KMAN75	75	121	246	132
10KMAN90	90	144	298	150,5
10KMAN110	110	175,5	364	177



EIOPRESS

ITEM: **KMAN**
C:\Vault_Templ\Disegn\ISchede Tecniche\Eiopress metric\Compression fittings\EP10009.dwg

DESC: **MANICOTTO COUPLER**



DRAWING No:	
EP10009	
SHEET OF	REV.
3 3	-3

www.nupiindustriaitaliane.com - info@nupinet.com

All dimensions have to be considered in millimeters with 5% tolerance if not otherwise mentioned