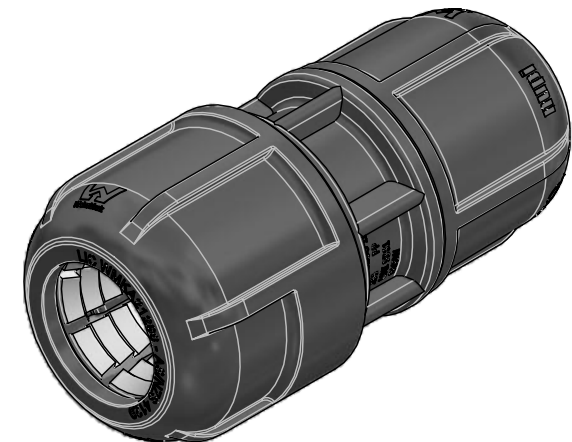


CODE	Dn1	Dn2	L1	L2	L	H
10KR2016	20	16	47	44	93,5	45
10KR2520	25	20	49,5	47	100,5	51
10KR3220	32	20	55	47	115,5	63
10KR3225	32	25	55	49,5	116,5	63
10KR6332	63	32	79,5	55	150	110



EIOPRESS

ITEM: KR

DESC: MANICOTTO RIDOTTO
REDUCING COUPLER

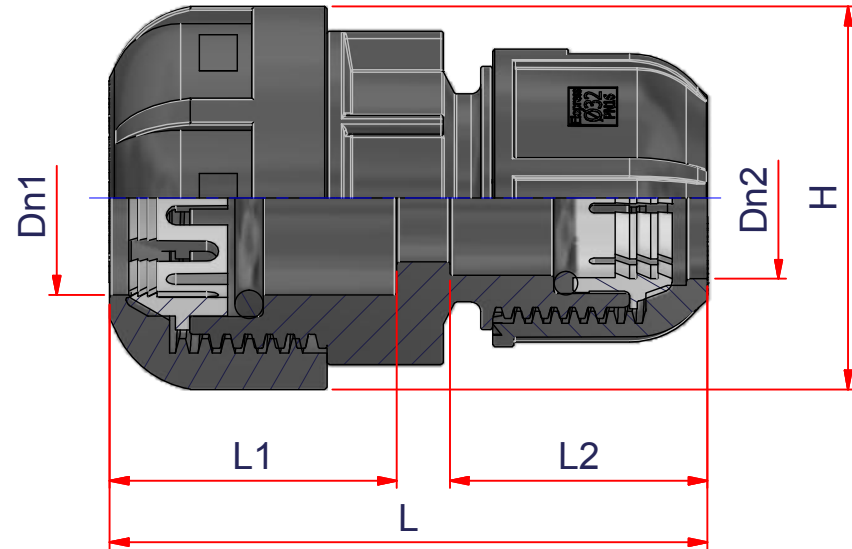


DRAWING No:
EP10010

SHEET OF	REV.
1 6	-2

www.nupiindustriaitaliane.com - info@nupinet.com

All dimensions have to be considered in millimeters with 5% tolerance if not otherwise mentioned



CODE	Dn1	Dn2	L1	L2	L	H
10KR4025	40	25	63	49,5	123	81
10KR4032	40	32	63	55	120,5	81
10KR5032	50	32	66,5	55	132	94
10KR6340	63	40	79,5	63	150,5	110
10KR6350	63	50	79,5	66,5	160	110



EIOPRESS

ITEM: KR

DESC: MANICOTTO RIDOTTO
REDUCING COUPLER

C:\Vault_Temp\Disegni\Schede Tecniche\Eiopress metric\Compression fittings\EP10010.dwg

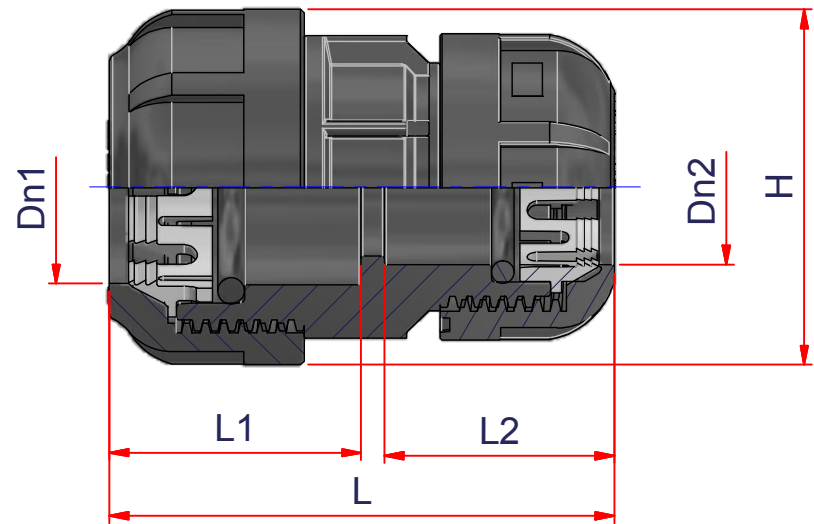


DRAWING No:
EP10010

SHEET OF REV.
2 6 -2

www.nupiindustriaitaliane.com - info@nupinet.com

All dimensions have to be considered in millimeters with 5% tolerance if not otherwise mentioned



CODE	Dn1	Dn2	L1	L2	L	H
10KR5040	50	40	66,5	63	132,5	94



EIO PRESS

ITEM: KR

DESC: MANICOTTO RIDOTTO
REDUCING COUPLER

C:\Vault_Temp\Disegn\ISchede Tecniche\Eiopress metric\Compression fittings\EP10010.dwg

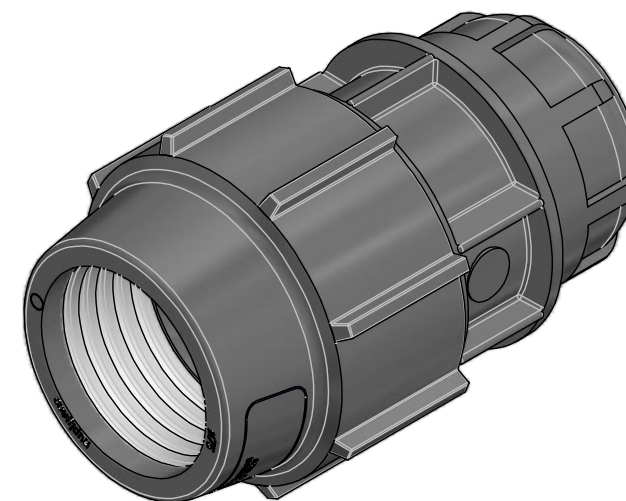
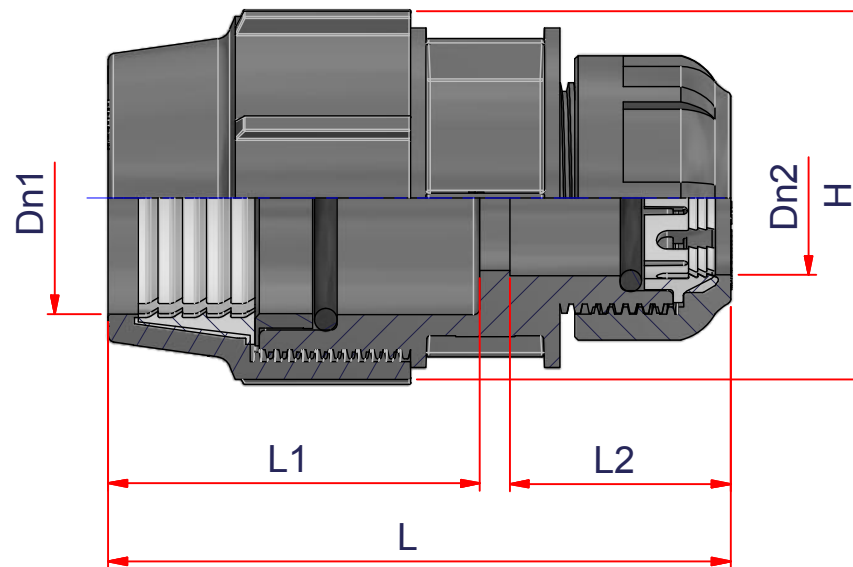


DRAWING No:
EP10010

SHEET OF	REV.
3 6	-2

www.nupiindustriaitaliane.com - info@nupinet.com

All dimensions have to be considered in millimeters with 5% tolerance if not otherwise mentioned



CODE	Dn1	Dn2	L1	L2	L	H
10KR7550	75	50	121	66,5	204,5	132



EIOPRESS

ITEM: KR

DESC: MANICOTTO RIDOTTO
REDUCING COUPLER

C:\Vault_Temp\Disegn\ISchede Tecniche\Eiopress metric\Compression fittings\EP10010.dwg

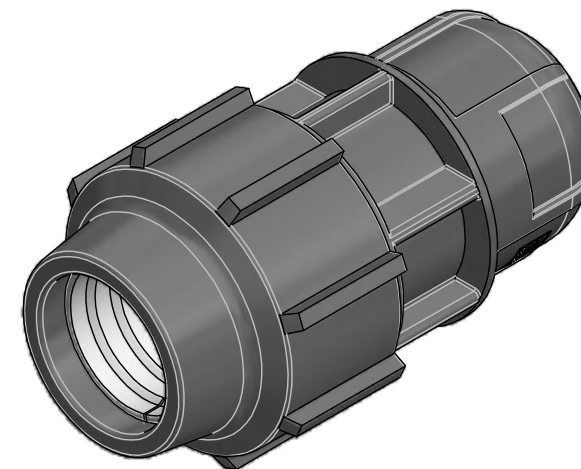
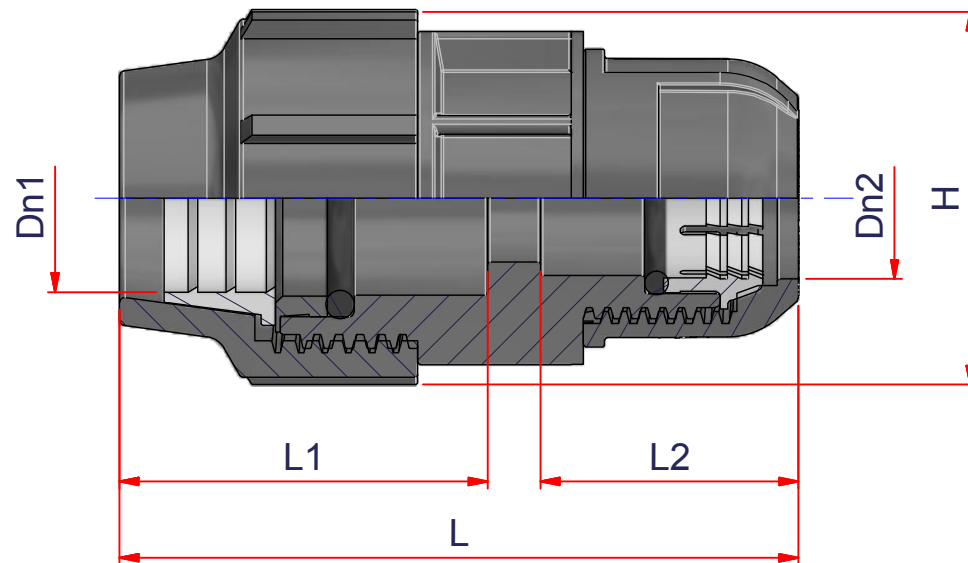


DRAWING No:
EP10010

SHEET OF	REV.
4 6	-2

www.nupiindustriaitaliane.com - info@nupinet.com

All dimensions have to be considered in millimeters with 5% tolerance if not otherwise mentioned



CODE	Dn1	Dn2	L1	L2	L	H
10KR7563	75	63	121	79,5	202,5	132
10KR9063	90	63	144	79,5	222,5	152



EIOPRESS

ITEM: KR

DESC: MANICOTTO RIDOTTO
REDUCING COUPLER

C:\Vault_Temp\Disegn\ISchede Tecniche\Eiopress metric\Compression fittings\EP10010.dwg

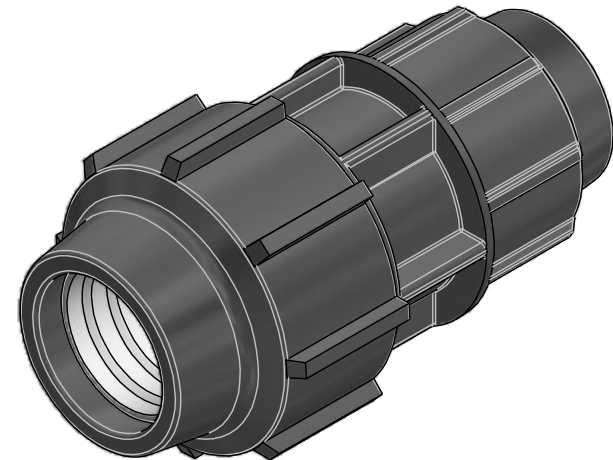
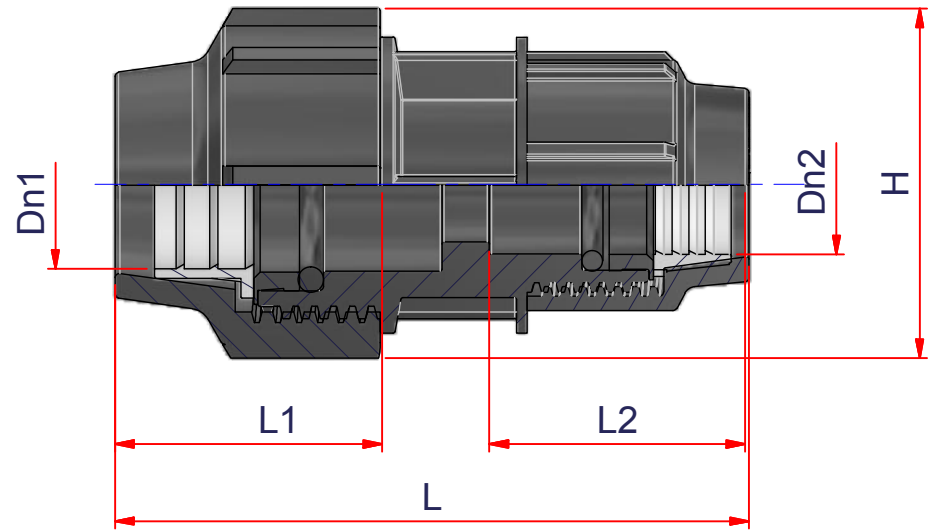


DRAWING No:
EP10010

SHEET OF	REV.
5 6	-2

www.nupiindustriaitaliane.com - info@nupinet.com

All dimensions have to be considered in millimeters with 5% tolerance if not otherwise mentioned



CODE	Dn1	Dn2	L1	L2	L	H
10KR9075	90	75	144	121	290,5	152
10KR11090	110	90	175,5	144	330,5	181



EIOPRESS

ITEM: KR

DESC: MANICOTTO RIDOTTO
REDUCING COUPLER

C:\Vault_Temp\Disegn\ISchede Tecniche\Eiopress metric\Compression fittings\EP10010.dwg



DRAWING No:
EP10010

SHEET OF	REV.
6 6	-2

www.nupiindustriaitaliane.com - info@nupinet.com

All dimensions have to be considered in millimeters with 5% tolerance if not otherwise mentioned