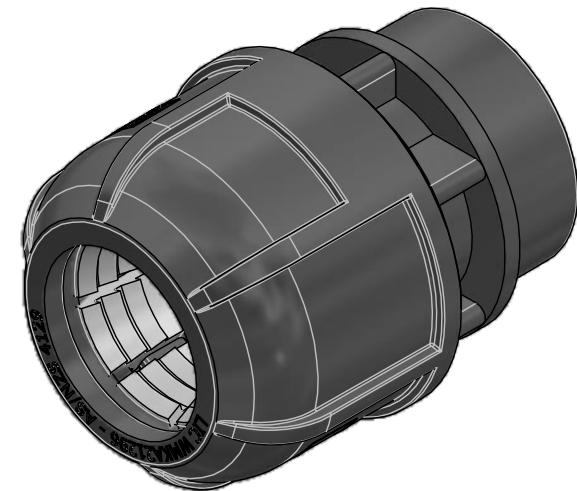
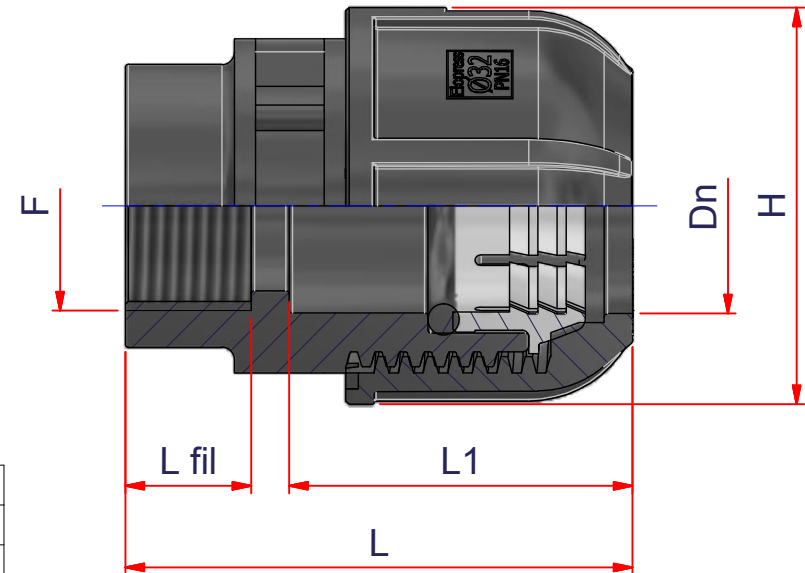


CODE	Dn	F	L fil	L1	L	H
10KRFF1612	16	1/2"	17,3	40,5	65,5	37
10KRFF1634	16	3/4"	18,4	40,5	67,5	37
10KRFF2012	20	1/2"	17,3	47	71,5	45
10KRFF2034	20	3/4"	18,4	47	73	45
10KRFF2512	25	1/2"	17,3	49,5	72,5	51
10KRFF2534	25	3/4"	18,4	49,5	73,5	51
10KRFF251	25	1"	20	49,5	75	51
10KRFF3212	32	1/2"	17,3	55	78,5	63
10KRFF3234	32	3/4"	18,4	55	79,5	63
10KRFF321	32	1"	20	55	80,5	63
10KRFF32114	32	1"1/4	20	55	81	63
10KRFF63112	63	1"1/2	22,5	79,5	122,5	110
10KRFF632	63	2"	22,5	79,5	122,5	110
10KRFF63212	63	2"1/2	27,5	79,5	127,5	110



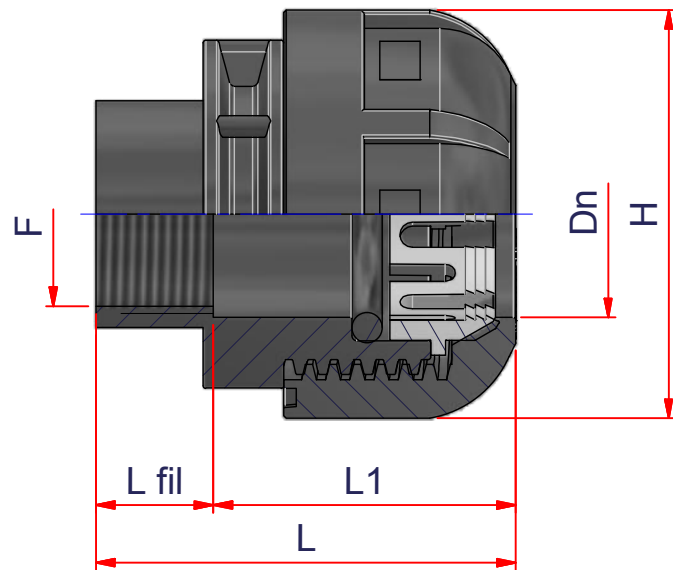
**EIOPRESS**

ITEM: **KRFF**  
C:\Vault\_Temp\Disegn\ISchede Tecniche\Eiopress metric\Compression fittings\EP10012.dwg

DESC: **RACCORDO FILETTATO FEMMINA  
 FEMALE THREADED ADAPTER**



DRAWING No:  
**EP10012**  
 SHEET OF 1 3 REV. -2



CODE	Dn	F	L fil	L1	L	H
10KRFF401	40	1"	20	63	69,5	81
10KRFF40114	40	1"1/4	22,5	63	75,5	81
10KRFF40112	40	1"1/2	22,5	63	75,5	81
10KRFF50114	50	1"1/4	22,5	66,5	103,5	94
10KRFF50112	50	1"1/2	22,5	66,5	103,5	94
10KRFF502	50	2"	22,5	66,5	103,5	94



**EIOPRESS**

ITEM: **KRFF**

DESC: RACCORDO FILETTATO FEMMINA  
FEMALE THREADED ADAPTER

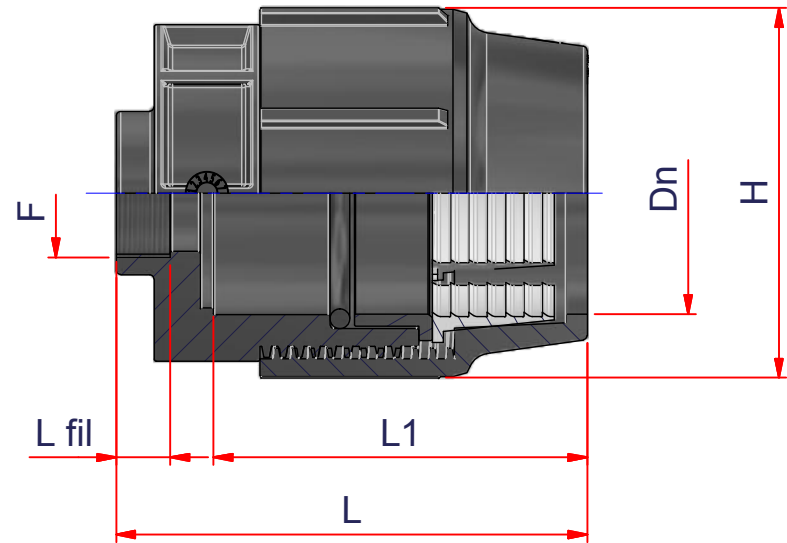


DRAWING No:  
**EP10012**

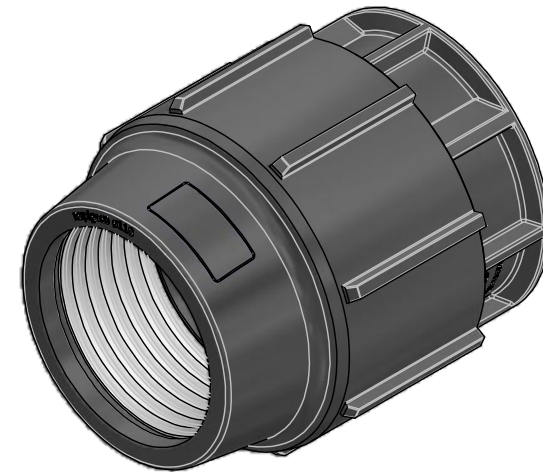
SHEET OF	REV.
2 3	-2

www.nupiindustriaitaliane.com - info@nupinet.com

All dimensions have to be considered in millimeters with 5% tolerance if not otherwise mentioned



CODE	Dn	F	L fil	L1	L	H
10KRFF752	75	2"	25	121	159	132
10KRFF75212	75	2"1/2	30	121	164	132
10KRFF753	75	3"	33	121	164	132
10KRFF902	90	2"	25	144	179,5	150,5
10KRFM90212	90	2"1/2	30	144	184,5	150,5
10KRFM903	90	3"	33	144	184,5	150,5
10KRFM904	90	4"	39	144	199	150,5
10KRFM1102	110	2"	25	175,5	217,5	177
10KRFM1103	110	3"	33	175,5	222,5	177
10KRFM1104	110	4"	39	175,5	237	177



**EIOPRESS**

ITEM: **KRFF**  
C:\Vault\_Temp\Disegn\ISchede Tecniche\Eiopress metric\Compression fittings\EP10012.dwg

DESC: **RACCORDO FILETTATO FEMMINA  
 FEMALE THREADED ADAPTER**



DRAWING No:  
**EP10012**  
 SHEET OF 3 3 REV. -2

www.nupiindustriaitaliane.com - info@nupinet.com

All dimensions have to be considered in millimeters with 5% tolerance if not otherwise mentioned