

CODE	Dn	L1	L	H
10KTAPPO16	16	40,5	53,5	37
10KTAPPO20	20	47	59,5	45
10KTAPPO25	25	49,5	61,5	51
10KTAPPO32	32	55	75,5	53,5
10KTAPPO63	63	79,5	105,5	110



EIOPRESS

ITEM: **KTAPPO**

DESC: TAPPO
END CAP

C:\Vault_Temp\Disegn\ISchede Tecniche\Eiopress metric\Compression fittings\EP10013.dwg

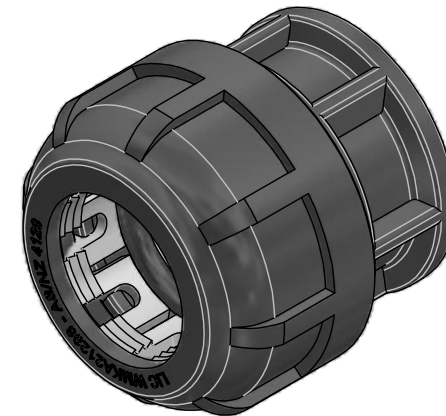
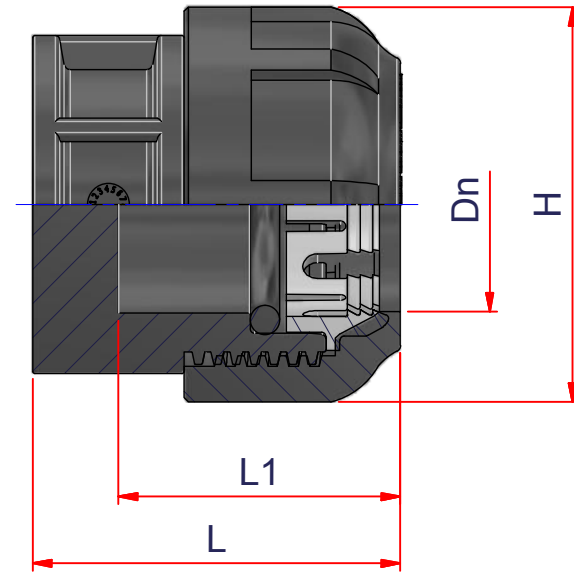


DRAWING No:
EP10013

SHEET OF	REV.
1 3	-2

www.nupiindustriaitaliane.com - info@nupinet.com

All dimensions have to be considered in millimeters with 5% tolerance if not otherwise mentioned



CODE	Dn	L1	L	H
10KTAPPO40	40	63	72,5	82
10KTAPPO50	50	66,5	87,5	94



EIOPRESS

ITEM: **KTAPPO**

DESC: TAPPO
END CAP

C:\Vault_Temp\Disegn\ISchede Tecniche\Eiopress metric\Compression fittings\EP10013.dwg

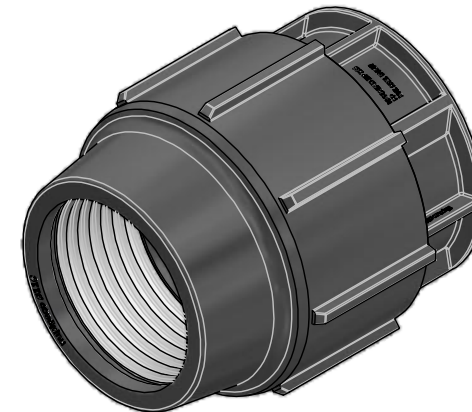
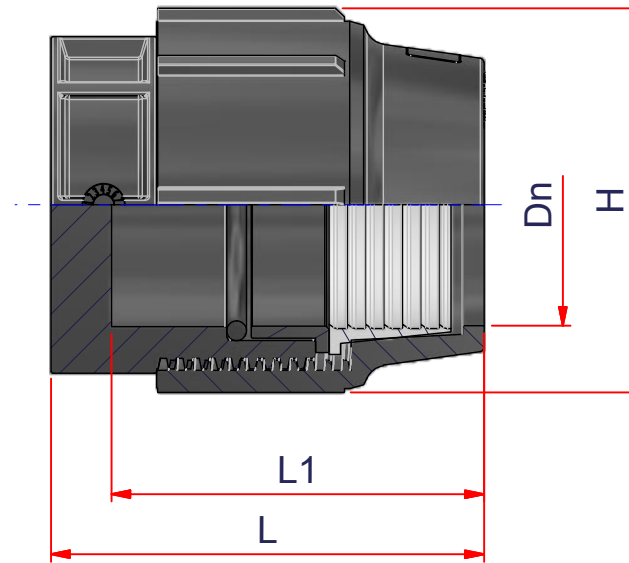


DRAWING No:
EP10013

SHEET OF	REV.
2 3	-2

www.nupiindustriaitaliane.com - info@nupinet.com

All dimensions have to be considered in millimeters with 5% tolerance if not otherwise mentioned



CODE	Dn	L1	L	H
10KTAPPO75	75	121	141,5	132
10KTAPPO90	90	144	162	150,5
10KTAPPO110	110	175,5	200	177



EIOPRESS

ITEM: **KTAPPO**

DESC: **TAPPO
END CAP**

C:\Vault_Temp\Disegn\ISchede Tecniche\Eiopress metric\Compression fittings\EP10013.dwg



DRAWING No:
EP10013

SHEET OF	REV.
3 3	-2

www.nupiindustriaitaliane.com - info@nupinet.com

All dimensions have to be considered in millimeters with 5% tolerance if not otherwise mentioned