

CODE	Dn	F	L1	L2	L	H1	H
10KTF1612	16	1/2"	40,5	53,5	107	31	49,5
10KTF1634	16	3/4"	40,5	53,5	107	32	50,5
10KTF2012	20	1/2"	47	62,5	125	35,5	58
10KTF2034	20	3/4"	47	62,5	125	36,5	59
10KTF2512	25	1/2"	49,5	68	136	38,5	64
10KTF2534	25	3/4"	49,5	68	136	39	64,5
10KTF251	25	1"	49,5	68	136	40	65,5
10KTF3212	32	1/2"	55	79,5	159	44,5	75,5
10KTF3234	32	3/4"	55	79,5	159	45,5	76,5
10KTF321	32	1"	55	79,5	159	46,5	77,5
10KTF32114	32	1"1/4	55	79,5	159	46,5	77,5
10KTF63112	63	1"1/2	79,5	116,5	233	68	123
10KTF632	63	2"	79,5	116,5	233	71	126
10KTF63212	63	2"1/2	79,5	116,5	233	74,5	129,5



**EIOPRESS**

ITEM: **KTF**

DESC: TEE 90° FILETTATO FEMMINA  
THREADED FEMALE TEE 90°

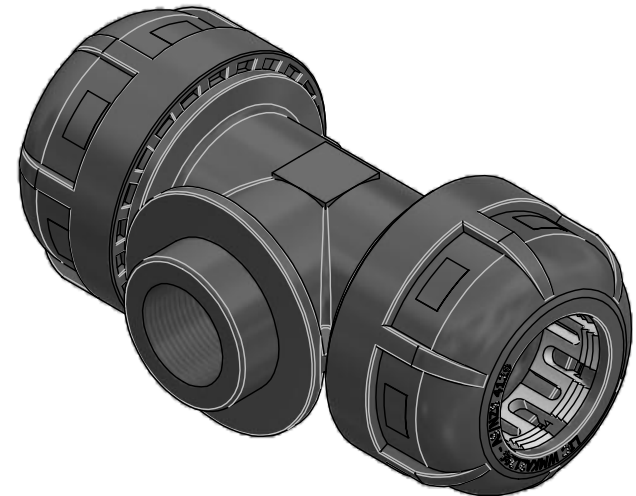
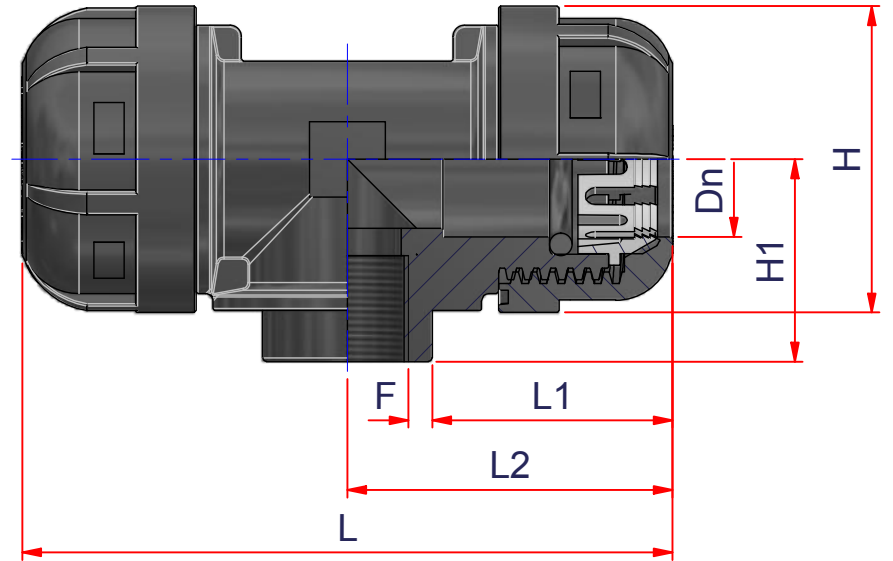


DRAWING No:  
**EP10019**

SHEET OF REV.  
**1 3 -2**

www.nupiindustriaitaliane.com - info@nupinet.com

All dimensions have to be considered in millimeters with 5% tolerance if not otherwise mentioned



CODE	Dn	F	L1	L2	L	H1	H
10KTF401	40	1"	63	91	182	53,5	93,5
10KTF40114	40	1"1/4	63	91	182	53,5	93,5
10KTF40112	40	1"1/2	63	91	182	53,5	93,5
10KTF50114	50	1"1/4	66,5	98,5	197	60,5	107,5
10KTF50112	50	1"1/2	66,5	98,5	197	63,5	110,5
10KTF502	50	2"	66,5	98,5	197	63,5	110,5



**EIOPRESS**

ITEM: **KTF**

DESC: TEE 90° FILETTATO FEMMINA  
THREADED FEMALE TEE 90°

C:\Vault\_Temp\Disegn\ISchede Tecniche\Eiopress metric\Compression fittings\EP10019.dwg

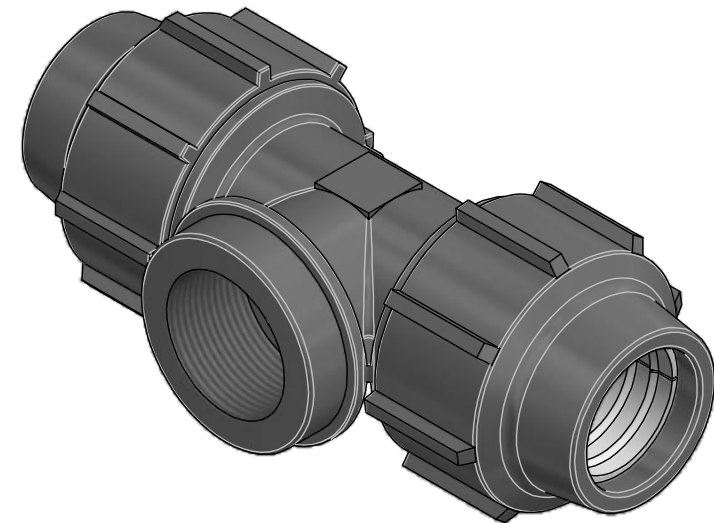
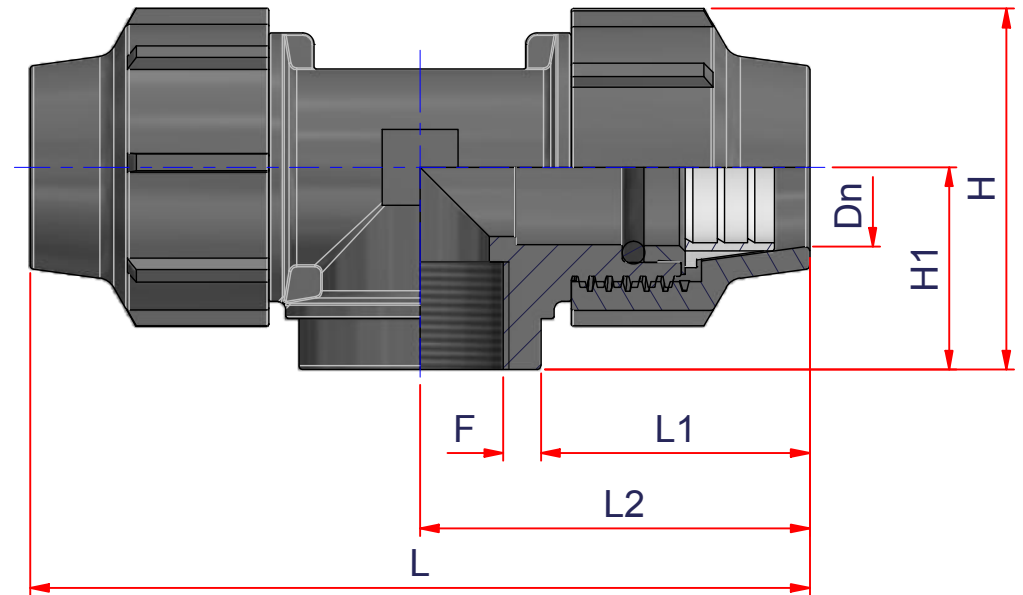


DRAWING No:  
**EP10019**

SHEET OF	REV.
2 3	-2

www.nupiindustriaitaliane.com - info@nupinet.com

All dimensions have to be considered in millimeters with 5% tolerance if not otherwise mentioned



CODE	Dn	F	L1	L2	L	H1	H
10KTF752	75	2"	121	170	340	100	160
10KTF75212	75	2"1/2	121	170	340	100	160
10KTF753	75	3"	121	180	360	115	180
10KTF90212	90	2"1/2	144	215	430	115	195
10KTF903	90	3"	144	215	430	115	195
10KTF1103	110	3"	175,5	244	488	125	215
10KTF1104	110	4"	175,5	244	488	125	215



**EIOPRESS**

ITEM: **KTF**

C:\Vault\_Temp\Disegn\ISchede Tecniche\Eiopress metric\Compression fittings\EP10019.dwg

DESC: TEE 90° FILETTATO FEMMINA  
THREADED FEMALE TEE 90\*



DRAWING No:  
**EP10019**

SHEET OF	REV.
3 3	-2

www.nupiindustriaitaliane.com - info@nupinet.com

All dimensions have to be considered in millimeters with 5% tolerance if not otherwise mentioned