

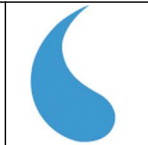
CODE	Dn	L1	L2	L	H1	H
10KT16	16	41,5	53,5	107	53,5	72
10KT20	20	47	62,5	125	62,5	86
10KT25	25	49,5	68	136	68	92
10KT32	32	55	79,5	159	79,5	109,5
10KT63	63	79,5	116,5	233	116,5	171,5



EIOPRESS

ITEM: **KT**
C:\Vault_Temp\Disegn\ISchede Tecniche\Eiopress metric\Compression fittings\EP10017.dwg

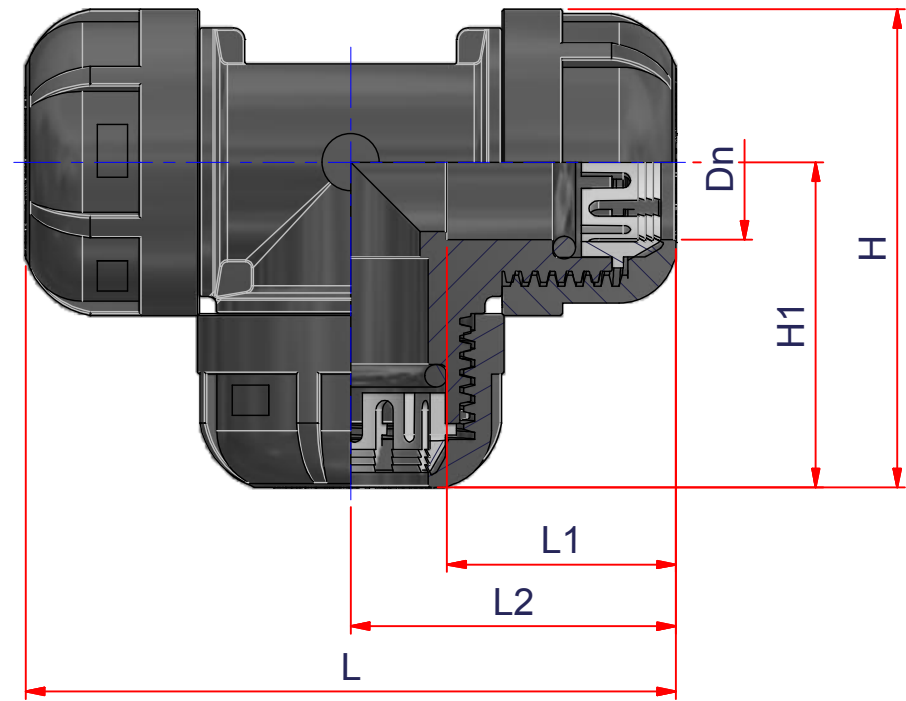
DESC: TEE 90°
 90° TEE



DRAWING No:
EP10017
 SHEET OF REV.
 1 3 -2

www.nupiindustriaitaliane.com - info@nupinet.com

All dimensions have to be considered in millimeters with 5% tolerance if not otherwise mentioned



CODE	Dn	L1	L2	L	H1	H
10KT40	40	63	91	182	91	133,5
10KT50	50	66,5	98,5	197	98,5	145,5



EIOPRESS

ITEM: **KT**

DESC: TEE 90°
90° TEE

C:\Vault_Temp\Disegn\ISchede Tecniche\Eiopress metric\Compression fittings\EP10017.dwg

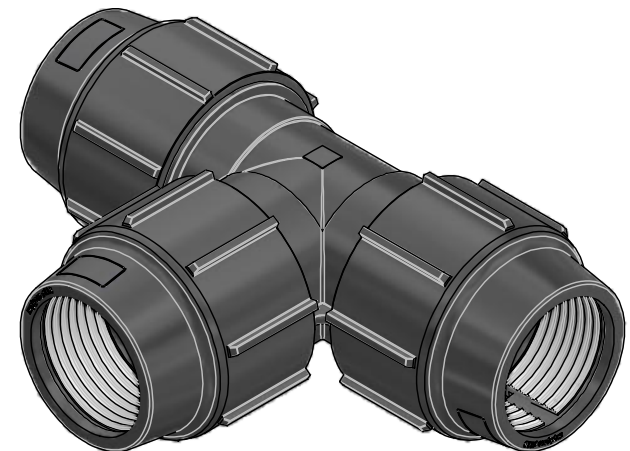
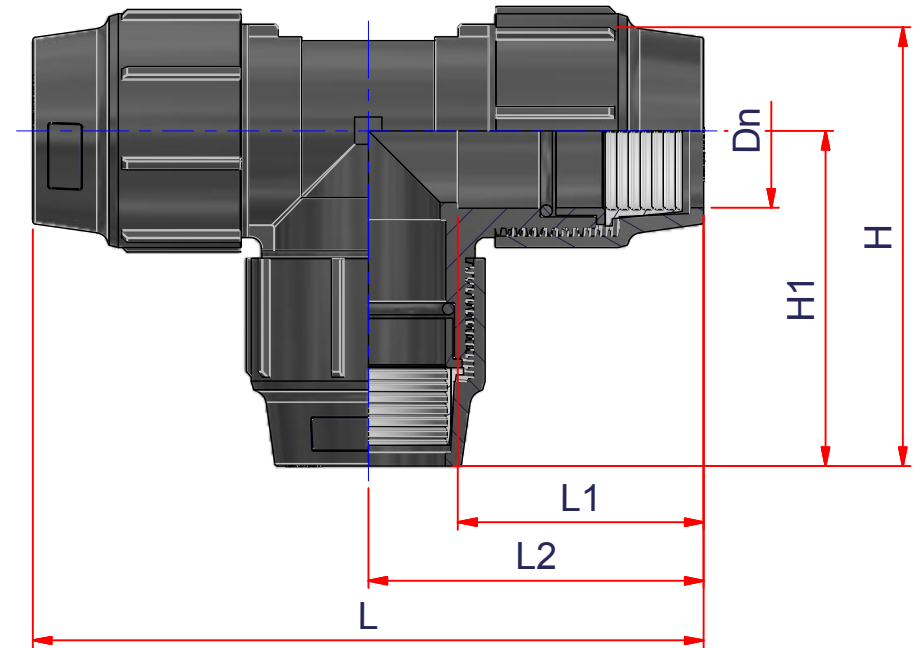


DRAWING No:
EP10017

SHEET OF	REV.
2 3	-2

www.nupiindustriaitaliane.com - info@nupinet.com

All dimensions have to be considered in millimeters with 5% tolerance if not otherwise mentioned



CODE	Dn	L1	L2	L	H1	H
10KT75	75	121	168	336	168	234
10KT90	90	144	207	414	207	281,5
10KT110	110	175,5	244	488	244	332,5

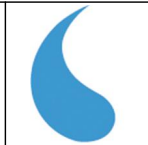


EIOPRESS

ITEM: **KT**

C:\Vault_Temp\Disegn\ISchede Tecniche\Eiopress metric\Compression fittings\EP10017.dwg

DESC: TEE 90°
90° TEE



DRAWING No:
EP10017

SHEET OF	REV.
3 3	-2

www.nupiindustriaitaliane.com - info@nupinet.com

All dimensions have to be considered in millimeters with 5% tolerance if not otherwise mentioned