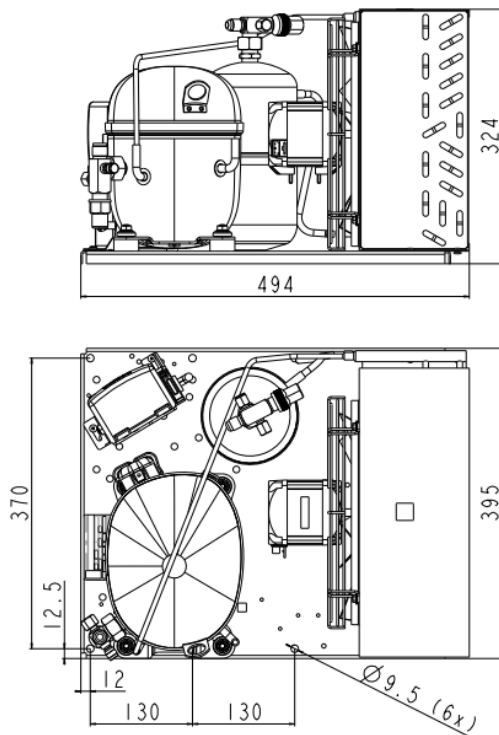


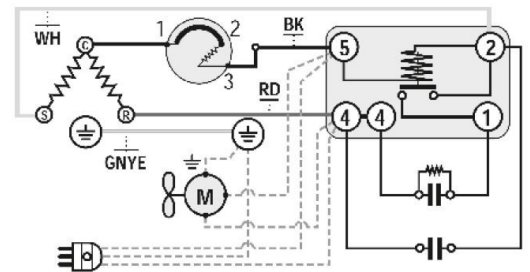
### GENERAL DATA

<b>Application:</b>	M/HBP
<b>Refrigerant:</b>	R404A
<b>Expansion Device:</b>	C-V
<b>Weight:</b>	34.3 kg
<b>Receiver:</b>	2.3 liter
<b>Voltage/Frequency:</b>	<b>200 - 240 V 50 ~</b> <b>230 V 60 ~</b>
<b>Height:</b>	34.3 mm
<b>Length:</b>	494 mm
<b>Width:</b>	395 mm
<b>Institute Approvals:</b>	<b>CE</b>

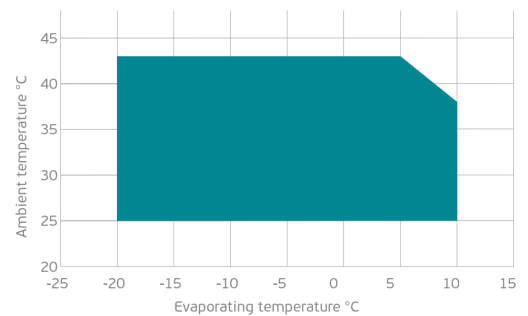
### EXTERNAL DIMENSIONS



### WIRING DIAGRAM



### OPERATING ENVELOPE



### COMPONENTS (SPARE PARTS)

<b>condenser:</b>	3R12T	2451140
<b>valve_suca:</b>	SOLDER 1/2"	2110050
<b>compressor:</b>	NT6220GK	922BN09..AC

<b>fankit:</b>	34W 275/31/5B	1996583
<b>valve_disch:</b>	SOLDER 3/8"	2110049
<b>elkit:</b>	ELKOM NT6220GK	922BN0404A

For additional accessories please contact our technical support

**ELECTRICAL DATA**

**Motor Type:** CSR -  
**Locked Rotor Amperage (LRA):** 29.5 A  
**Max.Current:** 5.15 A

At maximum evaporating temperature and maximum ambient temperature.

**FAN MOTOR**

**Number:** 1 -  
**Shaft Power:** 34 W  
**Air Flow:** 640 m<sup>3</sup>/h  
**Blade Diameter:** 275 mm

**PERFORMANCE CURVE DATA**

Standard: EN13215-RG20 / return gas 20°C, subcooling 3K

50 Hz

	Evaporating Temperature (°C)	Cooling Capacity (W)	Power Consumption (W)	Current Consumption (A)	Efficiency (W/W)
25 °C Ambient Temperature	10°C	2 443	949	4.07	2.57
	5°C	2 173	886	4.71	2.45
	0°C	1 908	824	5.01	2.32
	-5°C	1 650	763	4.98	2.16
	Rated point -10°C	1 397	703	4.66	1.99
	-15°C	1 151	645	4.06	1.78
	-20°C	911	588	3.23	1.55
32 °C Ambient Temperature	10°C	2 226	980	4.40	2.27
	5°C	1 974	913	4.81	2.16
	0°C	1 730	848	4.95	2.04
	-5°C	1 494	785	4.87	1.90
	Rated point -10°C	1 266	724	4.59	1.75
	-15°C	1 045	664	4.14	1.57
	-20°C	833	608	3.54	1.37
43 °C Ambient Temperature	5°C	1 669	952	4.53	1.75
	0°C	1 444	880	4.36	1.64
	-5°C	1 230	811	4.10	1.52
	Rated point -10°C	1 027	745	3.79	1.38
	-15°C	834	683	3.46	1.22
	-20°C	653	624	3.13	1.05