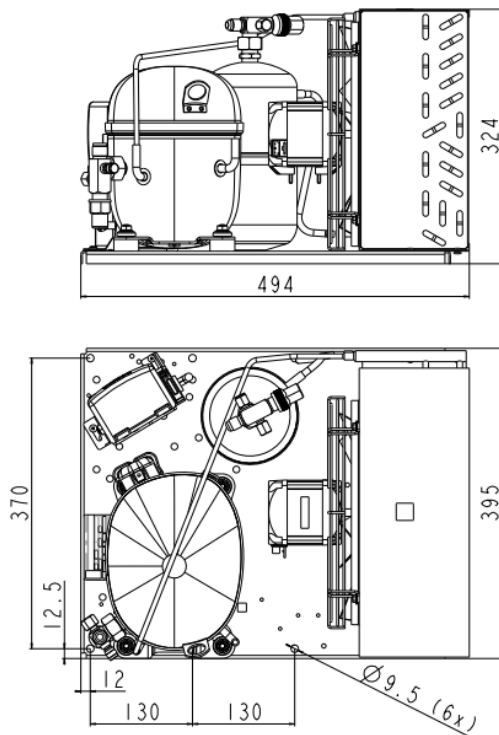


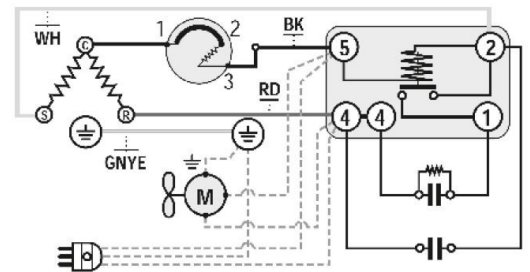
GENERAL DATA

Application:	M/HBP
Refrigerant:	R404A
Expansion Device:	C-V
Weight:	31.3 kg
Receiver:	2.3 liter
Voltage/Frequency:	220 - 240 V 50 ~
Height:	31.3 mm
Length:	494 mm
Width:	395 mm
Institute Approvals:	CE

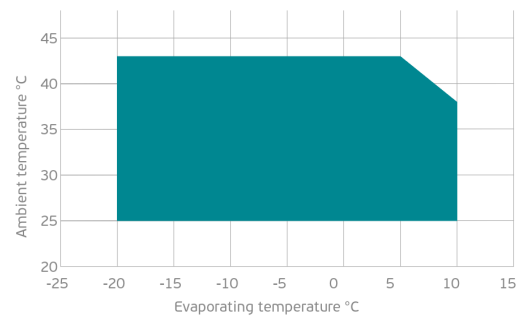
EXTERNAL DIMENSIONS



WIRING DIAGRAM



OPERATING ENVELOPE



COMPONENTS (SPARE PARTS)

condenser:	3R12T	2451140
valve_disch:	FLARE 3/8"	2110056
elkit:	ELKOM NT6222GK	922CA0404A

fankit:	34W 275/31/5B	1996583
valve_suca:	FLARE 1/2"	2110057
compressor:	NT6222GK	922CA09..AC

For additional accessories please contact our technical support

ELECTRICAL DATA

Motor Type: CSR -
 Locked Rotor Amperage (LRA): 30 A
 Max.Current: 7.73 A

At maximum evaporating temperature and maximum ambient temperature.

FAN MOTOR

Number: 1 -
 Shaft Power: 34 W
 Air Flow: 640 m³/h
 Blade Diameter: 275 mm

PERFORMANCE CURVE DATA

Standard: EN13215-RG20 / return gas 20°C, subcooling 3K

50 Hz

	Evaporating Temperature (°C)	Cooling Capacity (W)	Power Consumption (W)	Current Consumption (A)	Efficiency (W/W)
25 °C Ambient Temperature	10°C	2 864	1 153	5.91	2.48
	5°C	2 537	1 074	5.57	2.36
	0°C	2 214	995	5.23	2.22
	-5°C	1 901	916	4.91	2.07
	Rated point -10°C	1 606	839	4.61	1.91
	-15°C	1 333	766	4.33	1.74
	-20°C	1 091	696	4.08	1.57
32 °C Ambient Temperature	10°C	2 601	1 190	6.10	2.19
	5°C	2 307	1 107	5.74	2.08
	0°C	2 015	1 025	5.39	1.97
	-5°C	1 731	943	5.05	1.84
	Rated point -10°C	1 461	864	4.74	1.69
	-15°C	1 212	789	4.46	1.54
	-20°C	990	719	4.22	1.38
43 °C Ambient Temperature	5°C	1 930	1 173	6.02	1.64
	0°C	1 679	1 078	5.60	1.56
	-5°C	1 431	985	5.21	1.45
	Rated point -10°C	1 194	895	4.85	1.33
	-15°C	973	810	4.52	1.20
	-20°C	774	731	4.24	1.06