

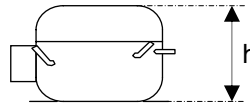
OPERATION:

Application:	L.B.P.	Max. Ambient Temp:	43°C
Refrigerant:	R600a	(1) Max. Steady Discharge Temp:	120°C
Operation:	Capillary	(1,2) Max. Peak Discharge Temp:	135°C
Cooling:	Static	Max. Steady Condensing Temp:	60°C
		(2) Max. Peak Condensing Temp:	70°C
		Max. Winding Temp:	130°C
		Max. Impurities:	30 mg
		Max.Total Compressor Water Content:	100 mg

COMPRESSOR:

Displacement:	11.2 cc	Oil Type:	Mineral
Bore:	25.40 mm	(4) Viscosity:	10 cSt
Stroke:	22.00 mm	Suction Muffler:	Semi-direct

(3) Net Wt:	8.5 kg
Case Size:	h = 165,5 mm
Oil Charge:	170 cc



ELECTRICAL:

Power Supply:	220 - 240V	Motor Type:	RSIR
Voltage Limits:	187 - 264V	Locked Rotor Current:	13.3 / 6.8 A**
Frequency:	50 Hz	Main Winding Resistance at 25°C:	14.4 Ω
Phase:	1 ph	Start Winding Resistance at 25°C:	20.3 Ω

** Maximum current / Measured after 4 seconds

- (1) Measured 5cm. from the shell with insulated thermocouples
- (2) For transient conditions during 'Pull Down'
- (3) Net weight is with oil but without electrics
- (4) Measured at 40°C

For rated performance,
the suction line must be connected to the stub
marked 'AS' on the attached drawing.



ELECTRICAL COMPONENTS:

Starting Device: K 100-xx
(1) Starting Device: PTC- 7100DT / 8100
PTC Resistance: 14 Ω

-xx Protector short code

PROTECTORS:

PROTECTORS	BDG ¾	Tongbao	SENSATA 4TM
Type	AE 72 FU x	BT86 120xx	4TM 293 NFBYY xx
Open °C	115 - 125 °C	115 - 125 °C	115 - 125 °C
Close °C	71 - 53 °C	71 - 53 °C	70 - 52 °C
U.T.C	2.1 A 70 °C	2.1 A 70 °C	2.15 A 70 °C
Time Check Current	8.6 A	8.6 A	10.0 A (5-15s)
Max. Current	17.0 A	17.0 A	21.6 A (2s max.)
Code (if any)	FP	L1	6L

Alt. protectors: AF 72 FU x
DT

PTC-71.. / 81.. are for Terminal Cover version only.

(1) BDG protector AF type is for use with PTC-71.. only, and PTC-71.. is only fitted with BDG protector.



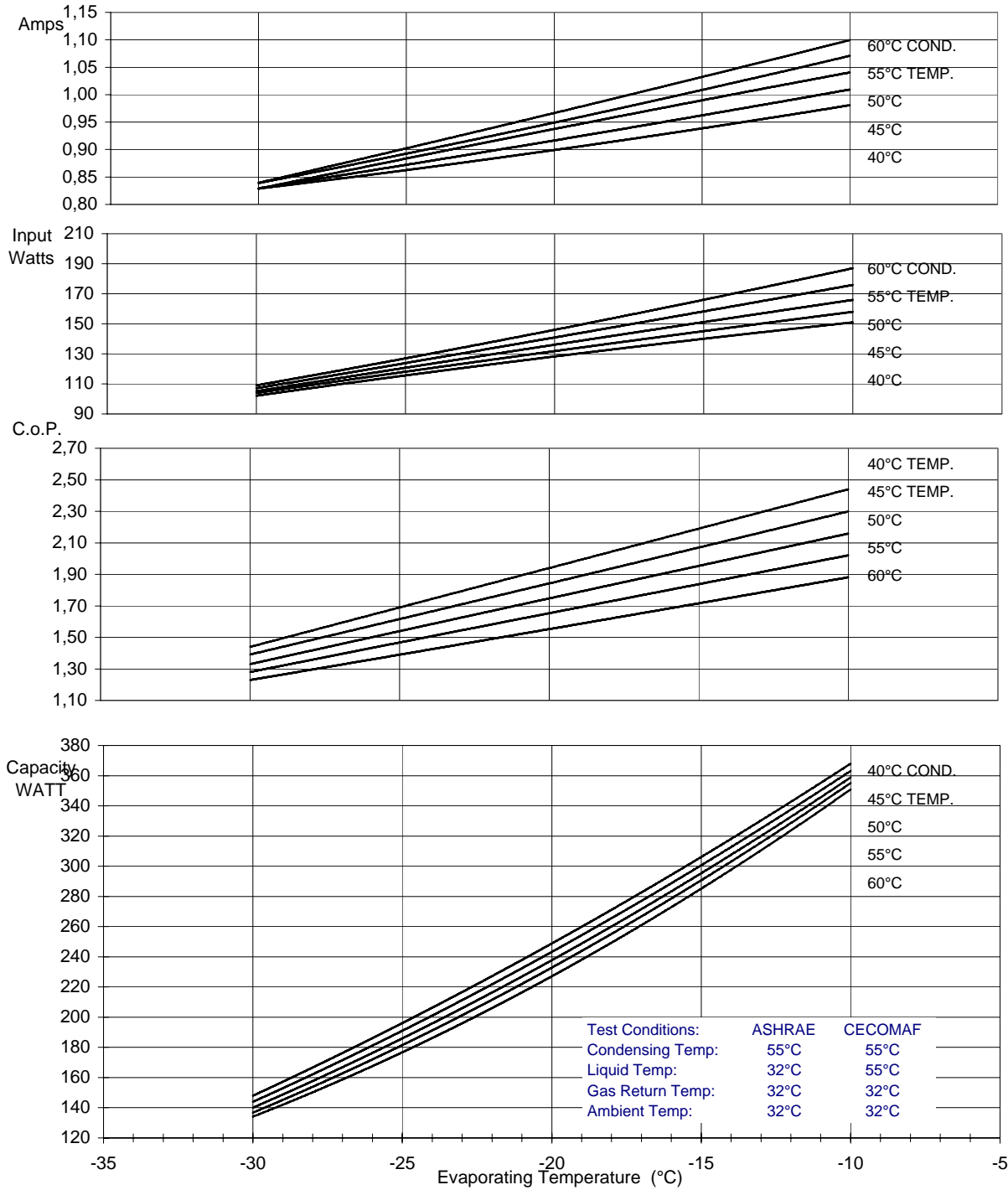
HMK12AA

PRODUCT SPECIFICATION

PERFORMANCE:

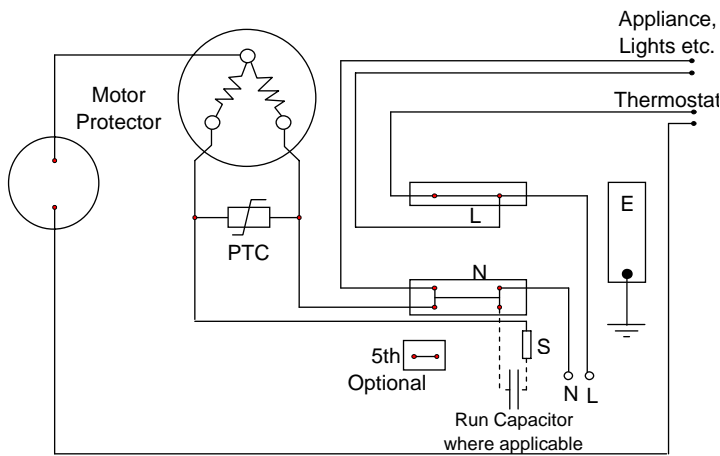
(Graphs are at ASHRAE conditions)

220V 50Hz

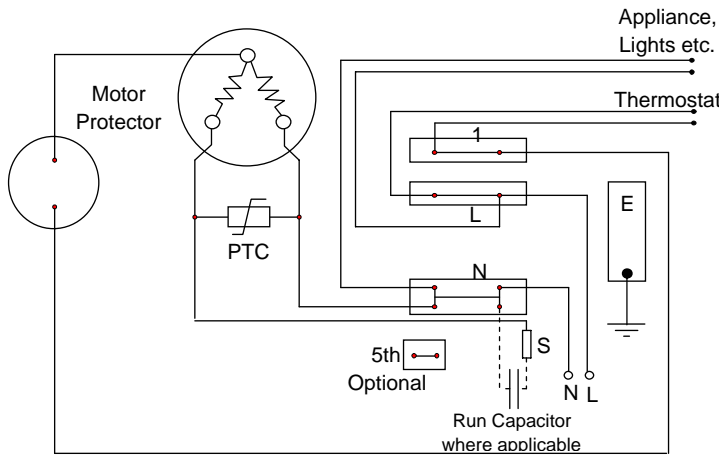


	Evaporating Temperature °C	-30	-25	-23,3	-20	-15	-10
ASHRAE:	Capacity W	137	181	198	233	291	355
	C.o.P. W / W	1,28	1,47	1,53	1,65	1,84	2,02
CECOMAF:	Capacity W	113	149		192	239	292
	C.o.P. W / W	1,06	1,20		1,36	1,51	1,66
	Input Power W	107	124	129	141	158	176
	Current A	0,84	0,89	0,91	0,95	1,01	1,07

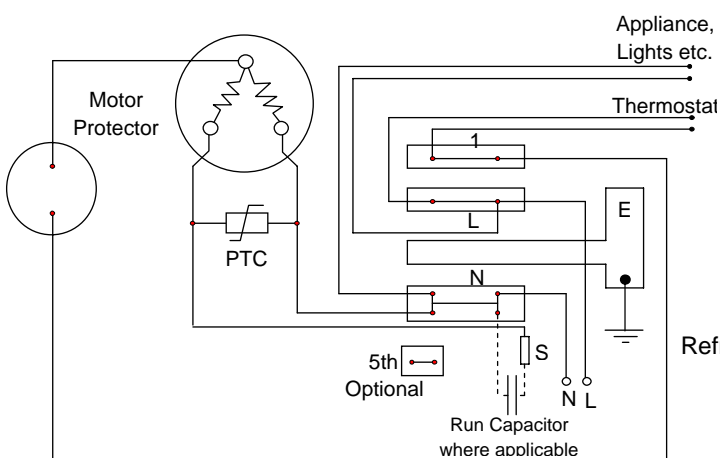
Circuit Diagram for Terminal Board Standard Version



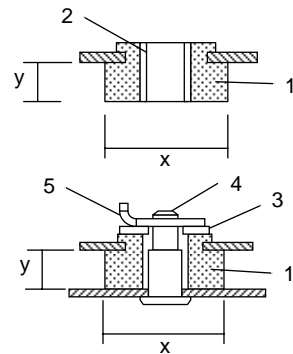
Circuit Diagram for Terminal Board Frontal Version



Circuit Diagram for Terminal Board Rast 5 Version



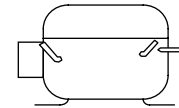
Mounting Accessories



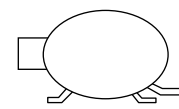
x = 26mm or 28.5mm
y = 9mm or 10.3mm
Other sizes available

1. Rubber grommet
2. Sleeve
3. Washer
4. Steel pin
5. Clip

Recommended Transport Positions when fitted into appliances



Upright



Tubes Down

Compressor Label

